

# °STELPRO

## ELECTRIC FURNACE

MODULATING WITH ELECTRONIC CONTROLS  
SFE SERIES

## THE FURNACE... REINVENTED

At last, °STELPRO has designed an electric furnace that meets all your expectations. THE FURNACE is the only one on the market that comes equipped with a built-in temperature sensor, making installation much easier. You can say goodbye to undesirable variances in temperature thanks to its state-of-the-art electronic controls! This one of a kind furnace has everything going for it: easy installation and incomparable ease of use, a compact size along with many other outstanding features. You will see for yourself, THE FURNACE from °STELPRO has no equal!



### BUILT-IN TEMPERATURE SENSOR

### REDUCED SIZE

PRE-DRILLED PANELS SIMPLIFIES INSTALLATION  
AND CONNECTION

### UPDATED ELECTRONIC CONTROLS

ECO MODE FOR INCREASED SAVINGS

### AVAILABLE WITH A 120 V MOTOR (UP TO 27 KW)

A 1 HP MOTOR IS ALSO AVAILABLE  
(STARTING FROM 20 KW)

### FINISH

powdercoated (light charcoal)

### MANUFACTURING

- robust galvanized steel cabinet
- adjustable dampers (better control over static pressure, airflow,  $\Delta T$  and noise)
- compartmentalized door providing easy access to all components
- disposable 20 x 20 in. air filter (included)
- 1 type of relay for all functions

### ELEMENTS

- modulating elements for increased comfort
- elements separately framed allowing for quick and easy replacement

### MOTOR

totally enclosed, permanently lubricated motor

### CONTROL

- easy-to-use modes
- Continuous ventilation button (low or high speed)
- Continuous heating button (min or max)
- simplified connection system
- mechanical relays allowing for easy and low-cost maintenance

### INSTALLATION

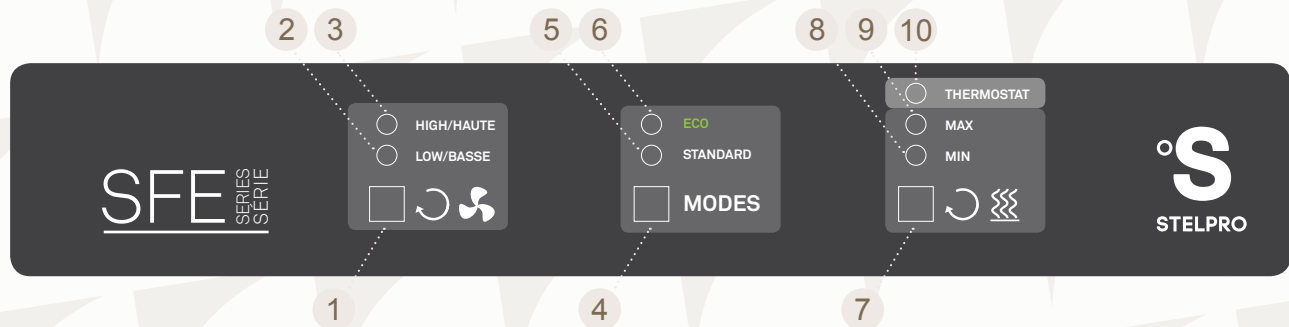
- three possible installation positions: upflow, downflow or horizontal
- installation directly against a wall ("zero inch" clearance)
- possible installation with 3 conductors



# TECHNICAL SPECIFICATIONS

PRODUCT	POWER AND VOLTAGE		MOTOR		AMPERAGE	POWER	WEIGHT	
CODE	KILOWATTS	VOLTS	SPEED	VOLTS	AMPERES	HP	KG	LB
<b>STANDARD MODELS</b>								
SFE1021	10/7.5	240/208	4	240/208	44/38	1/3	45	100
SFE1521	15/11.2	240/208	4	240/208	65/56	1/3	45	100
SFE1821	17.5/13.2	240/208	4	240/208	75/66	1/3	45	100
SFE2021	20/15	240/208	4	240/208	85/74	1/3	45	100
SFE2321	22.5/16.9	240/208	4	240/208	96/84	1/3	45	100
SFE2721	27.5/20.7	240/208	3	240/208	119/104	1	48	105
SFE3021	30/22.5	240/208	3	240/208	130/113	1	48	105
<b>OPTIONAL MODELS</b>								
SFE1021120	10/7.5	240/208	4	120	46/40	1/3	45	100
SFE1521120	15/11.2	240/208	4	120	67/58	1/3	45	100
SFE1821120	17.5/13.2	240/208	4	120	77/68	1/3	45	100
SFE2021120	20/15	240/208	4	120	87/76	1/3	45	100
SFE20211HP	20/15	240/208	3	240/208	88/77	1	48	105
SFE20211HP120	20/15	240/208	3	120	95/84	1	48	105
SFE2321120	22.5/16.9	240/208	4	120	98/86	1/3	45	100
SFE23211HP	22.5/16.9	240/208	3	240/208	99/87	1	48	105
SFE23211HP120	22.5/16.9	240/208	3	120	106/94	1	48	105
SFE2721120	27.5/20.7	240/208	3	120	126/111	1	48	105

## ELECTRONIC CONTROLS



### LEGEND

1

**CONTINUOUS VENTILATION** BUTTON  
Allows the selection of the high or low speed continuous ventilation mode.

2

**LOW SPEED CONTINUOUS VENTILATION**  
GREEN LED  
Indicates that the low speed continuous ventilation mode is activated.

3

**HIGH SPEED CONTINUOUS VENTILATION**  
GREEN LED  
Indicates that the high speed continuous ventilation mode is activated.

4

**MODE** BUTTON  
Allows the selection of the Standard or Eco mode.

5

**STANDARD MODE** GREEN LED  
Indicates Standard mode is activated.

6

**ECO MODE** GREEN LED  
Indicates that the Eco mode is activated.

7

**CONTINUOUS HEATING** BUTTON  
Allows the selection of the maximum or minimum continuous heating mode.

8

**MIN CONTINUOUS HEATING** GREEN LED  
Indicates that the minimum of heating capacity is activated.

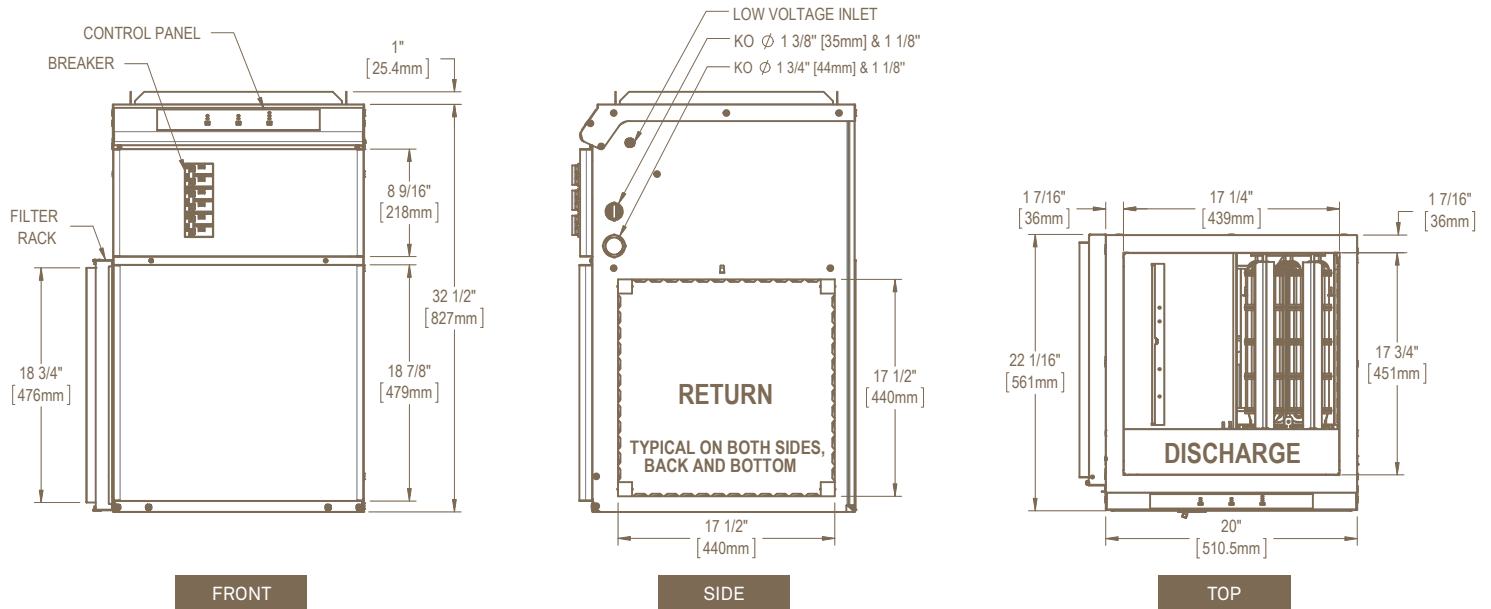
9

**MAX CONTINUOUS HEATING** GREEN LED  
Indicates that the maximum of continuous heating mode is activated.

10

**THERMOSTAT** YELLOW LED  
Indicates that the furnace is receiving a heating demand from the thermostat.

# TECHNICAL DRAWINGS



## ACCESSORIES

PRODUCT	DESCRIPTION
FSB2	adapter
SCOND	neutral terminal for third conductor

## SPEEDS AND DAMPERS

UNIT		ESP	DAMPER 1	DAMPER 2	L		ML		MH		H		KW (MIN)	KW (MAX)
KW	IWC	DEGREES	DEGREES	CFM	$\Delta T$ (°F)	CFM	$\Delta T$ (°F)	CFM	$\Delta T$ (°F)	CFM	$\Delta T$ (°F)			
<b>10 TO 22.5 KW - 1/3 HP MOTOR</b>														
10	0.2	15	15	810	39	900*	35*	930	34	960	33	2.5	2.5	
15	0.2	45	45	862	55	1000*	48*	1130	42	1200	39	2.5	5	
17.5	0.2	45	45	862	64	1000*	55*	1130	48	1200	46	2.5	5	
20	0.2	60	45	900	70	1030	61	1150*	55*	1240	51	2.5	5	
22.5	0.2	60	45	900	78	1030	69	1150*	62*	1240	57	2.5	5	
10	0.5	15	15	685	46	750*	42*	790	40	850	37	2.5	2.5	
15	0.5	45	45	790	60	890*	53*	990	48	1030	46	2.5	5	
17.5	0.5	45	45	790	70	890*	62*	990	56	1030	54	2.5	5	
20	0.5	60	45	815	78	910	70	1000*	63*	1050	60	2.5	5	
22.5	0.5	60	45	815	87	910	79	1000*	71*	1050	67	2.5	5	
<b>20 TO 30 KW - 1 HP MOTOR</b>														
20	0.2	60	45	1620	39	1820*	35*	2030	31	2030	31	2.5	5	
22.5	0.2	60	45	1620	44	1820*	39*	2030	35	2030	35	2.5	5	
27.5	0.2	60	45	1600	54	1790*	48*	2000	43	2000	43	2.5	7.5	
30	0.2	60	45	1600	59	1790*	53*	2000	48	2000	48	5	10	
20	0.5	60	45	1540	41	1700*	37*	1915	33	1915	33	2.5	5	
22.5	0.5	60	45	1540	46	1700*	42*	1915	37	1915	37	2.5	5	
27.5	0.5	60	45	1500	58	1660*	51*	1875	46	1875	46	2.5	7.5	
30	0.5	60	45	1500	63	1660*	57*	1875	51	1875	51	5	10	
20	0.75	60	45	1475	43	1625*	39*	1775	36	1775	36	2.5	5	
22.5	0.75	60	45	1475	48	1625*	44*	1775	40	1775	40	2.5	5	
27.5	0.75	60	45	1440	60	1600*	54*	1740	50	1740	50	2.5	7.5	
30	0.75	60	45	1440	66	1600*	60*	1740	55	1740	55	5	10	

L = low; ML = medium/low; M = medium; MH = medium/high; H = high

Speeds and dampers are factory adjusted.

\* recommended (factory pre-cabled)

= CONTINUOUS HEATING

# INSTALLATION

