



- ✓ **Continuous mode at 2.5 kW**  
 increases the temperature to reduce the feeling of cold air currents in recirculation
- ✓ **Terminal block compatible with air conditioners and heat pumps**
- ✓ **Independent fan relay**  
 for starting the fan in order to reduce the demand on the first sequencer
- ✓ **Compartmentalized door**  
 for an easy access to all components
- ✓ **Adjustable louvers**  
 better control over static pressure, airflow and  $\Delta T$
- ✓ **Pilot lights**  
 clearly identifies the selected modes
- ✓ **Multiple installation positions**  
 upflow, downflow or horizontal

## An excellent quality-price ratio

This furnace will charm both installers and users with its simple functioning and easy maintenance. The SEF will adapt to each home air volume and duct configuration. Tired of being too cold or too hot in spring and autumn? The SEF seasonal transition options are the solution. Now power, versatility, security and style are combined in one truly great appliance. It can also be installed in mobile homes using the FSB1 adapter.

## Features

**color:** light charcoal **finish:** powdercoated **manufacturing:** robust monopiece galvanized steel cabinet • adjustable louvers (better control over static pressure, airflow,  $\Delta T$  and noise) • compartmentalized door providing easy access to all components • disposable air filter 20 x 20 in. (included) • compatibility mechanism for air conditioners and heat pumps (included) • pilot lights clearly identifies the selected modes motor: totally enclosed, permanently lubricated motor • design including a motor start relay for starting the fan in order to reduce the demand on the first sequencer **wattage & voltage:** see the selection table **elements:** separately framed elements allowing quick and easy replacement • M-shaped elements supports increasing heat transfer surface **control:** power selector • continuous ventilation (low speed) • low speed (2.5 kW) **installation:** three possible installation positions: upflow, downflow or horizontal. • installation directly against a wall ("zero inch" clearance) **warranty:** 5 years

## Controls table



power	fan	low speed (2.5 kW)
<b>LOW</b>	<b>OFF</b>	<b>OFF</b>
reduces the maximum power by approximately half during the seasonal transition periods	on standby (awaiting demand for heating or air-conditioning)	no heating if there is no demand from the thermostat
<b>HIGH</b>	<b>ON</b>	<b>ON</b>
maximum power (during the coldest months of the year)	improves temperature uniformity and increases efficiency of the humidifier or filtration system if needed	increases the temperature to reduce the feeling of cold air currents in recirculation*

\* increase the elapsed time between heating demands

## Selection table

product	power	voltage	amperage	power	motor	height		width		length		weight		price
code	kilowatts	volts	amp.	hp	speeds	mm	in.	mm	in.	mm	in.	lb	kg	
SEF1021	10.0/7.5	240/208	44/38	1/3	4	929	36 9/16	511	20 1/8	538	21 3/16	100	45	984.00
SEF1521	15.0/11.2	240/208	65/56	1/3	4	929	36 9/16	511	20 1/8	538	21 3/16	100	45	1032.00
SEF1821	18.0/13.5	240/208	77/67	1/3	4	929	36 9/16	511	20 1/8	538	21 3/16	100	45	1064.00
SEF2021	20.0/15.0	240/208	85/74	1/3	4	929	36 9/16	511	20 1/8	538	21 3/16	100	45	1064.00
SEF2321	23.0/17.2	240/208	98/85	1/3	4	929	36 9/16	511	20 1/8	538	21 3/16	100	45	1168.00
SEF2721	27.0/20.2	240/208	118/102	1	3	929	36 9/16	511	20 1/8	538	21 3/16	105	48	1320.00
SEF3021	30.0/22.5	240/208	130/113	1	3	929	36 9/16	511	20 1/8	538	21 3/16	105	48	1372.00

Prices indicated in this catalog are valid 90 days starting from March 1, 2011. For all the updated prices, please refer to the Web site.

## Speeds and dampers

10 to 23 kW

unit	ESP	damper 1	damper 2	damper 3	L		ML		MH		H	
kW	PCE	degrees	degrees	degrees	cfm	ΔT (°F)	cfm	ΔT (°F)	cfm	ΔT (°F)	cfm	ΔT (°F)
10	0.2	30	30	0	802*	37*	896	33	896	33	952	32
15	0.2	45	45	0	896	50	952*	47*	1088	41	1129	40
18	0.2	45	45	0	896	60	952*	57*	1088	50	1129	48
20	0.2	45	60	0	896	67	952*	63*	1088	55	1129	53
23	0.2	45	60	0	896	77	952	72	1088*	63*	1129	61
10	0.5	30	30	0	690*	43*	748	40	817	37	874	34
15	0.5	45	45	0	817	55	970*	46*	1017	44	1052	43
18	0.5	45	45	0	817	66	970*	56*	1017	53	1052	51
20	0.5	45	60	0	817	73	970	62	1017*	59*	1052	57
23	0.5	45	60	0	817	84	970	71	1017*	68*	1052	66

27 to 30 kW

unit	ESP	damper 1	damper 2	damper 3	L		M		H	
kW	PCE	degrees	degrees	degrees	cfm	ΔT (°F)	cfm	ΔT (°F)	cfm	ΔT (°F)
27	0.2	45	45	90	1717	47	1901	43	2060	39
30	0.2	45	45	90	1717	52	1901	47	2060	44
27	0.5	45	45	90	1573	51	1751	46	1905	43
30	0.5	45	45	90	1573	57	1751	51	1905	47
27	0.75	45	45	90	1500	54	1716	47	1810	45
30	0.75	45	45	90	1500	60	1716	52	1810	50

L (low); ML (medium/low); M (medium); MH (medium/high); H (high)

Speeds and dampers are factory adjusted

The continuous mode is set at low speed

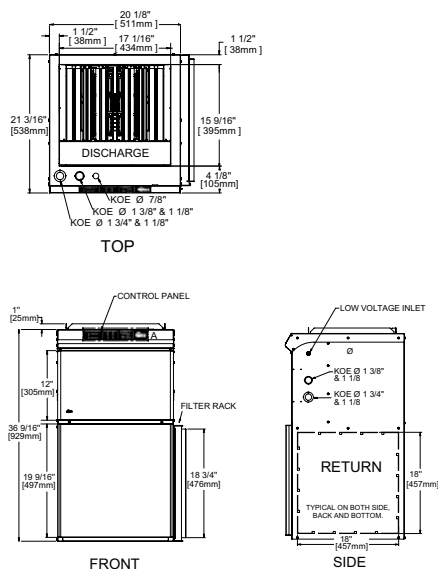
\* Recommended (factory pre-cabled)

## Adjustment examples

unit	ESP	damper 1	damper 2	damper 3	adjustment	flow
kW	PCE	degrees	degrees	degrees	vitesse	cfm
10 to 23	0.5	60	60	0	H	1241
10 to 23	0.5	90	90	0	H	1478
27 to 30	0.5	60	60	90	H	2167
27 to 30	0.5	90	90	90	H	2250



## Technical drawings



## Accessories/filters

For optimum efficiency and a better air quality: add a Stelpro filter

For a complete list of accessories, please refer to the accessories table at page 77.

## Installation

