

MODEL OD-5006

Ultra Silent, High Performance, Attractive Design Grille

Description

Very quiet ventilation fan should be ceiling or wall mounted and capable of exhausting air quietly and efficiently.

It holds an ETL evaluation and conforms to UL and cUL safety standards.

Housing

Made of rugged 26 GA galvanized steel

Detachable 4 inch polymeric collar which includes a light weight built in back draft damper.

Housing size: 9"x9"x5 3/4"

Motor/Blower

Plug in permanently lubricated motor- Engineered for continuous operation.

The motor is energy efficient and surpasses the minimum Energy Star requirements for continuous duty operation.

Power rating should be 120 volts and 60 Hz

Fan shall be ETL and cETL listed for tub/shower enclosure when used with a GFCI branch circuit.

Motor comes with a built in overload disconnect for safety and longer motor life.

Our Premium series operates at lower RPM's to give you quieter operation.

Grille

The Premium grille is low profile that has elegance and still able to maintain its simplicity.

Made of a rugged polymeric resin that's known for its long life durability.

Comes with torsion spring clips that helps mount grille evenly.

Typical specification

Ceiling ventilator shall have corrosion resistance galvanized steel housing with 4 point mounting capability.

It shall be ducted to a roof vent or wall cap using 4 inch round pipe.

Blower assembly shall be removable, have a centrifugal type blower wheel and a permanently lubricated motor designed for continuous operation.

Includes an attachable non metallic collar with build in back draft damper.

Air and sound delivery shall meet the HVI certified ratings as per the fan curves attached.



Options

Fluorescent light
Humidistat

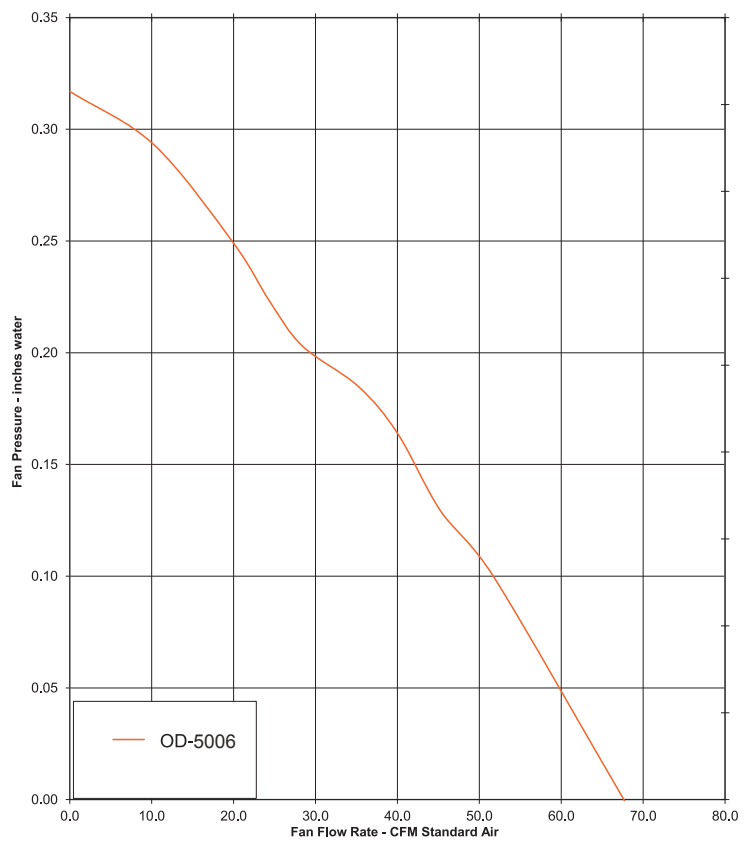
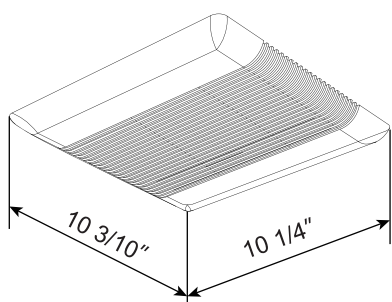
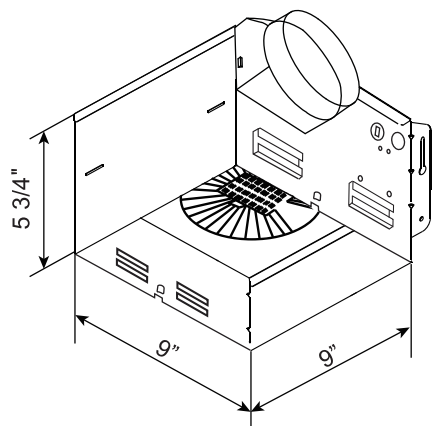
Reference	QTY.	Remarks	Project:
			Location:
			Architect:
			Engineer:
			Contractor:
			Submitted by:
			Date:

CERTIFICATIONS



MODEL OD-5010

Model Number	OD-5006
Static Pressure in inches w.g.	0.1
Air Volume (CFM)	50
Noise (sones)	0.6
Fan Watts	14W
Duct Diameter	4"
Power Rating (V/Hz)	120/60



ORTECH INDUSTRIES INC.

604-543-6473-TEL-1-888-543-6473

604-599-6201-FAX-1-888-541-6474

33-13290 78 AVE

SURREY, BC V3W OH6

CANADA



www.ortechlighting.com

CERTIFICATIONS

