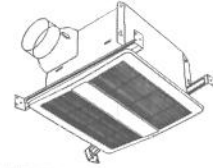


MODEL: OD-8003    OD-9003    OD-1106    OD-12012    OD-15011  
 OD-8003HS    OD-9003HS    OD-1106HS    OD-12012HS    OD-15011HS



## READ AND SAVE THESE INSTRUCTIONS

### WARNING



TO REDUCE THE RISK OF FIRE, ELECTRIC SHOCK, OR INJURY TO PERSONS, OBSERVE THE FOLLOWING:

1. Use this unit only in the manner intended by the manufacturer. If you have questions, contact the manufacturer at the address or telephone number listed in the warranty.
2. Before servicing or cleaning unit, switch power off at service panel and lock the service disconnecting means to prevent power from being switched on accidentally. When the service disconnecting means cannot be locked, securely fasten a prominent warning device, such as a tag, to the service panel.
3. Installation work and electrical wiring must be done by a qualified person(s) in accordance with all applicable codes and standards, including fire-rated construction codes and standards.
4. Sufficient air is needed for proper combustion and exhausting of gases through the flue (chimney) of fuel burning equipment to prevent backdrafting. Follow the heating equipment manufacturer's guideline and safety standards such as those published by the National Fire Protection Association (NFPA), and the American Society for Heating, Refrigeration and Air Conditioning Engineers (ASHRAE), and the local code authorities.
5. When cutting or drilling into wall or ceiling, do not damage electrical wiring and other hidden utilities.
6. Ducted fans must always be vented to the outdoors.
7. Acceptable for use over a tub or shower when connected to a GFCI (Ground Fault Circuit Interrupter) - protected branch circuit (ceiling installation only).
8. This unit must be grounded.

### CAUTION



1. For general ventilating use only. Do not use to exhaust hazardous or explosive materials and vapors.
2. This product is designed for installation in ceilings up to a 12/12 pitch (45 degree angle). Duct connector must point up. **DO NOT MOUNT THIS PRODUCT IN A WALL.**
3. To avoid motor bearing damage and noisy and/or unbalanced impellers, keep drywall spray, construction dust, etc. off power unit.
4. Please read specification label on product for further information and requirements.

### CLEANING & MAINTENANCE

For quiet and efficient operation, long life, and attractive appearance - lower or remove grille and vacuum interior of unit with the dusting brush attachment.

The motor is permanently lubricated and never needs oiling. If the motor bearings are making excessive or unusual noises, replace the motor with the exact service motor. The impeller should also be replaced.

### OPERATION

Use an on/off switch to operate this fan. See "Connect Wiring for details.

For Model OD-8003HS OD-9003HS OD-1106HS  
 OD-12012HS OD-15011HS

The humidity control and fan can be operated separately. Use a 1- or 2-function wall control. Do not use a dimmer switch to operate the humidity control or light. See "Connect Wiring" for details.

#### SENSOR OPERATION

The humidity-sensing fan uses a sophisticated humidity sensor that responds to: (a) rapid to moderate (user-adjustable) increases in humidity or (b) humidity above a user-adjustable set point (50%-100% relative humidity). The humidity sensor may occasionally turn the fan ON when environmental conditions change. If the fan continuously responds to changing environmental conditions, "H" (means "humidity") adjustment may be required. This figure is factory-set for about 75% (Ambient temperature of 25°C).

#### SENSITIVITY ADJUSTMENT

The "H" has been factory set for most shower applications. However, if the fan is in a tub area or is being used for dampness control, the "H" may need to be increased toward maximum "+". If the control is responding too often to changing environmental condition movement toward less "-" "H" may be required.

To adjust the "H":

1. Disconnect power at service entrance.
2. Through the grille, locate the slot marked "H".
3. Carefully rotate the "H" adjustment toward "+" or "-".
4. Turn on power and check operation by turning on the shower or other humidity source until the fan turns on.
5. Repeat above steps if necessary.

When the temperature changes, humidity sensor values will have deviation

#### TIMER ADJUSTMENT

The humidity sensing fan has a "T" (means timer) that can be adjusted from 5 to 60 minutes (factory-set at about 20 minutes).

This "T" controls the length of time that the fan remains ON after th

**Installer: Leave this manual with the homeowner.**

sensor has stopped sensing a rise in humidity and the humidity level is below the user-adjustable set-point.

To adjust the "T":

1. Disconnect power at service entrance.
2. Through the grille, locate the slot marked "T".
3. Carefully rotate the "T" adjustment to desired setting (from 5 to 60 minutes).
4. Check operation by turning on a humidity source until the fan turns on.
5. Turn humidity source off and time the unit.
6. Repeat above steps if necessary.

## WARRANTY

### ONE YEAR LIMITED WARRANTY

Warrants to the original consumer purchaser of its products that such products will be free from defects in materials or workmanship for a period of one year from the date of original purchase. THERE ARE NO OTHER WARRANTIES, EXPRESS OR IMPLIED, INCLUDING, BUT NOT LIMITED TO, IMPLIED WARRANTIES OF MERCHANTABILITY OR FITNESS FOR A PARTICULAR PURPOSE.

During this one-year period, we will, at its option, repair or replace, without charge, any product or part which is found to be defective under normal use and service.

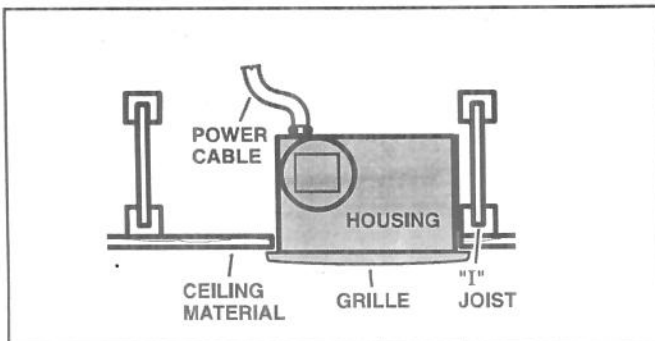
THIS WARRANTY DOES NOT EXTEND TO FLUORESCENT LAMP STARTERS AND TUBES. This warranty does not cover (a) normal maintenance and service or (b) any products or parts which have been subject to misuse, negligence, accident, improper maintenance or repair, faulty installation or installation contrary to recommended installation instructions. The duration of an implied warranty is limited to the one-year period as specified for the express warranty. Some states do not allow limitation on how long an implied warranty lasts, so the above limitation may not apply to you.

OURS OBLIGATION TO REPAIR OR REPLACE, AT OUR OPTION, SHALL BE THE PURCHASER'S SOLE AND EXCLUSIVE REMEDY UNDER THIS WARRANTY. WE SHALL NOT BE LIABLE FOR INCIDENTAL, CONSEQUENTIAL OR SPECIAL DAMAGES ARISING OUT OF OR IN CONNECTION WITH PRODUCT USE OR PERFORMANCE. Some states do not allow the exclusion or limitation of incidental or consequential damages, so the above limitation may not apply to you.

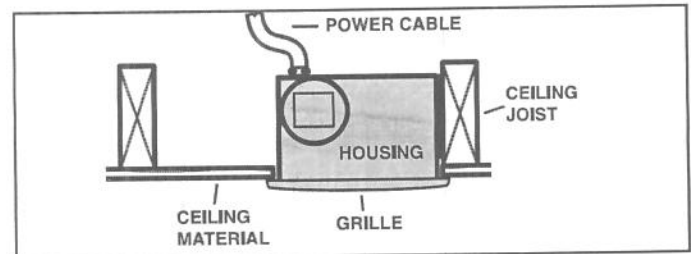
This warranty gives you specific legal rights, and you may also have other rights, which vary from state to state. This warranty supersedes all prior warranties.

To qualify for warranty service, you must (a) notify at the address or telephone number stated below, (b) give the model number and part identification and (c) describe the nature of any defect in the product or part. At the time of requesting warranty service, you must present evidence of the original purchase date.

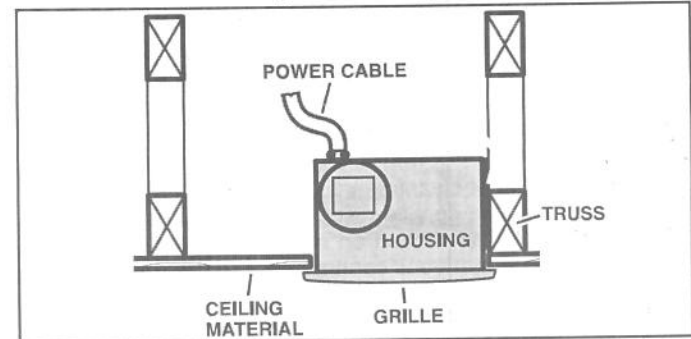
## TYPICAL INSTALLATIONS



Housing mounted to I-joists.

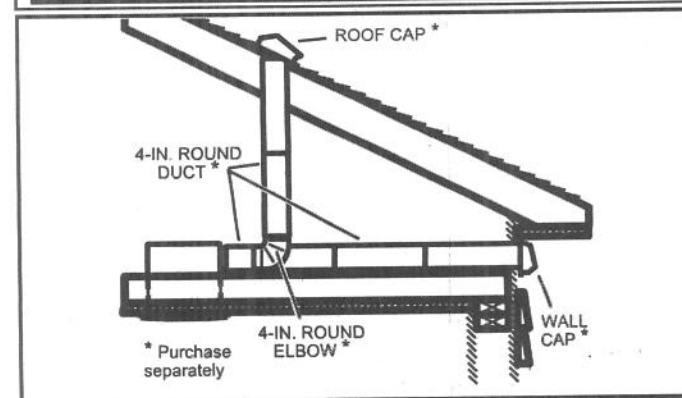
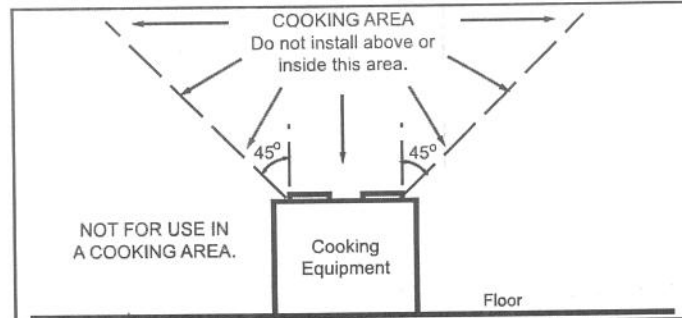


Housing mounted to joists.



Housing mounted to truss.

## PLAN THE INSTALLATION



The unit will operate most quietly and efficiently when located where the shortest possible duct run and minimum number of elbows will be needed.

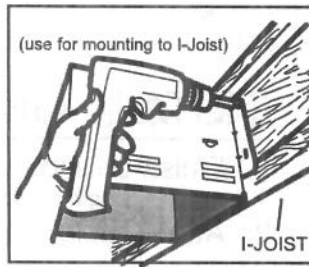
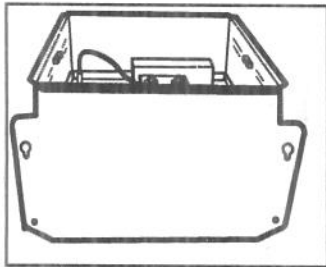
Use a roof cap or wall cap that has a built-in damper to reduce backdrafts.

Plan to supply the unit with proper line voltage and appropriate power cable.

## INSTALL HOUSING & DUCT

1a. Mount housing to joist or I-joist. Hold housing in

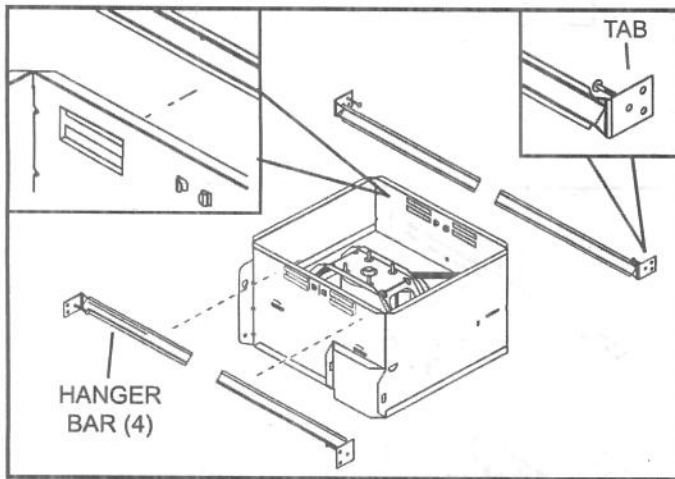
place so that the housing contact the bottom of the joist. The housing mounts with two(2) screws or nails. Screw or nail housing to joist through the holes in each mounting flange.



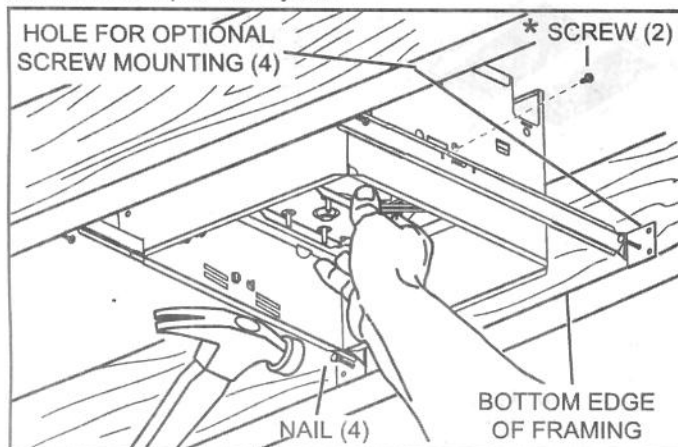
OR

**b. Mount housing anywhere between trusses, joists, or I-joists using hanger bars.**

Sliding hanger bars are provided to allow for accurate positioning of housing anywhere between framing. They can be used on all types of framing (I-joist, standard joist, and truss construction) and span up to 24".



Insert hanger bars in slots provided in housing. Make sure TABS face "up" as shown. Use the set of channel mounting holes to mount the housing flush with the bottom of the drywall. Use the other set of holes (not marked) to mount the housing flush with the top of the drywall.



Extend HANGER BARS to the width of the framing.

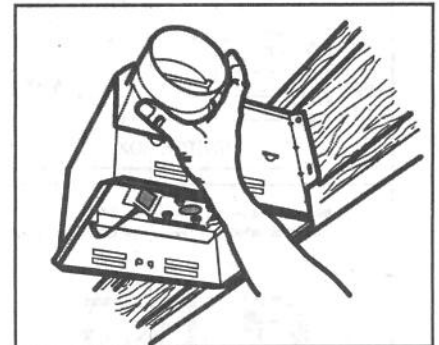
Hold ventilator in place with the hanger bar tabs wrapping around the BOTTOM EDGE OF THE FRAMING.

NAIL ventilator to framing or fasten with screws (not provided) through HOLES near nails.

\* To ensure a noise-free mount: Secure hanger bars together with SCREWS or use a pliers to crimp mounting channels tightly around hanger bars.

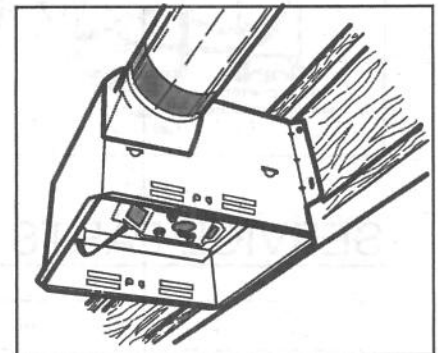
**2 Attach damper/duct connector.**

Snap damper / duct connector onto housing. Make sure connector is flush with top of housing and damper flap falls closed.



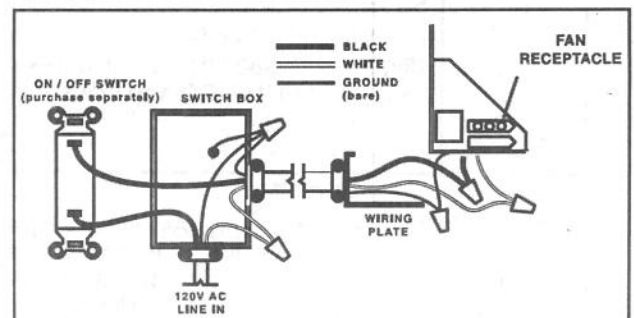
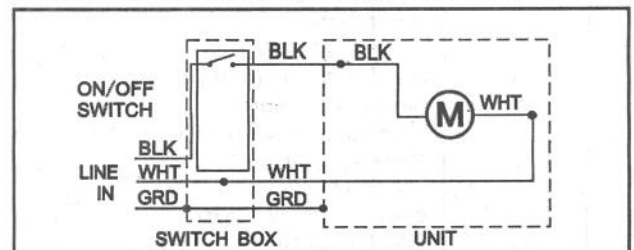
**3. Install round duct work.**

Connect round ductwork to damper / duct connector. Run ductwork to a roof cap or wall cap. Tape all ductwork connections to make them secure and air tight.

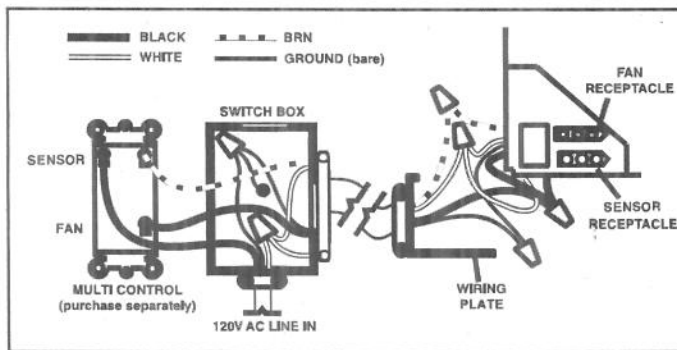
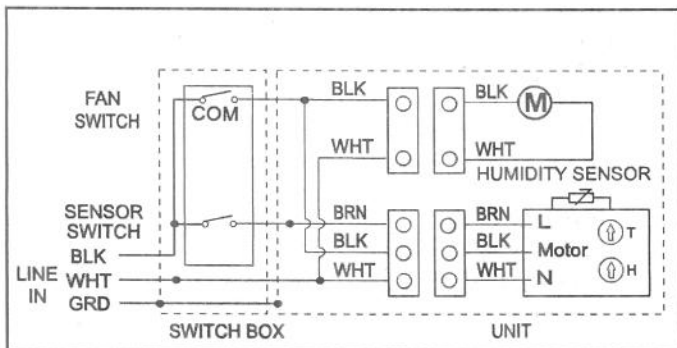


**CONNECT WIRING**

For OD-8003 OD-9003 OD-1106 OD-12012 OD-15011



For Model OD-8003HS OD-9003HS OD-1106HS  
OD-12012HS OD-15011HS

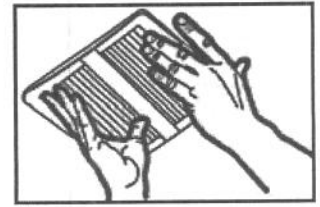
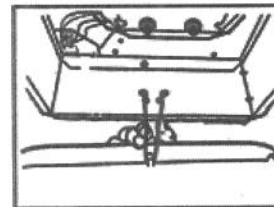


**Connect electrical wiring.**

Run 120 VAC house wiring to installation location. Use proper UL approved connector to secure house wiring to wiring plate. Connect wires as shown in wiring diagrams.

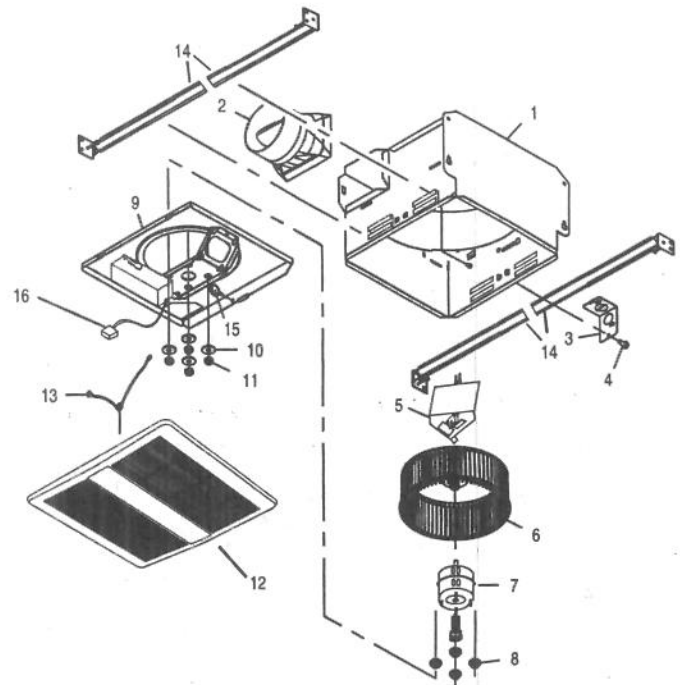
**INSTALL GRILLE**

1. **Finish ceiling.**  
Install ceiling material. Cut out around housing.
2. **Attach grille to housing.**  
Squeeze grille springs and insert them into slots on each side of housing.
3. **Push grille against ceiling.**



**SERVICE PARTS**

Key No.	Description
1	Housing
2	Damper/Duct Connector
3	Wiring Plate
4	Screw
5	Wire Panel/Harness Assembly
6	Blower Wheel
7	Motor
8	Isolator (4 req'd)
9	Motor Plate
10	Washer (4 req'd)
11	Nut, Hex Lock (4 req'd)
*	Blower Assembly (includes key nos. 6 thru 11)
12	Grille Assembly (includes key nos. 13)
13	Grille Spring (2 req'd)
14	Hanger Bar Kit
15	Screw
16	Humidity Sensor system (for model OD-8003HS OD-9003HS and OD-1106HS OD-12012HS OD-15011HS)



Product specifications subject to change without notice.

**SERVICE NOTE To Remove Blower Assembly:** Unplug motor (7). Remove screw (15) from motor plate (9) flange. Find the single TAB on the motor plate (located next to the receptacle). Push up near motor plate tab while pushing out on side of housing. Or insert a straight-blade screwdriver into slot in housing (next to tab) and twist screwdriver.