

Secure Temp[®] S2100

High-Temperature Factory-Built Chimneys



www.securitychimneys.com
800-361-4909 (US) 800-667-3387 (Canada)

Leaders in-Venting Innovation™

At Security Chimneys, we have been manufacturing chimney since 1960

That makes us one of the oldest manufacturers of venting products in North America.

The knowledge & experience gained from those early years led to the introduction of Secure Temp S2100; the most advanced chimney design of its time. In fact, it was very first residential chimney to satisfy Canada's stringent ULC-S629 standard.

When introduced in 1984, S2100's heavy-duty construction and thick insulation quickly made it a favourite in some of North America's harshest winter climates.

Here, heat is not a luxury; it is an absolute necessity. Homeowners have heavy-duty heating needs requiring a chimney that can work just as hard. That is why they choose Secure Temp S2100.



Secure Temp S2100 Features & Benefits

FEATURES	BENEFITS
Proven engineered design with inner flue and outer casing both made of sturdy, high-quality, corrosion-resistant stainless steel	<ul style="list-style-type: none"> • Long, dependable service life means this will be the last chimney your home will ever need
Free-Floating stainless inner flue	<ul style="list-style-type: none"> • Flue is fixed only to male coupler on one end leaving it free to accommodate thermal expansion & contraction • Minimizes risk of metal fatigue and associated buckling / tearing that can occur with use; especially during chimney fires
Laser-Welded Inner and Outer Seams	<ul style="list-style-type: none"> • Enhances vertical strength • Eliminates potential source of leakage • Improves product quality & consistency
Twist-Lock Assembly with End Couplers	<ul style="list-style-type: none"> • Enables quick connection of pipe lengths in seconds with just a 1/8th turn • Eliminates need for awkward locking bands • Multi-point contact between couplers combined with generous overlap adds cross-sectional strength and reliable joint connection
Heavy-Duty Ceiling Supports with Integrated Coupler & Flue Extension	<ul style="list-style-type: none"> • Factory-assembled as a single part to minimize air leakage around chimney • Reduces number of parts needed and simplifies installation
Two-inch wall thickness filled with exclusive Secura Plus insulation that will not shift or settle	<ul style="list-style-type: none"> • Acts like a heavy coat to keep the heat in and the cold out (example: S2100 6-inch diameter weighs-in at 8.9 lbs. per linear foot) • Maximizes flue-gas temperatures for faster start-ups • Results in stable, powerful draft performance with EPA Certified stoves & fireplaces including catalytic appliances • Minimizes condensation leading to lower accumulations of creosote – the fuel that feeds a chimney fire • Eliminates risk of hot-spots that can occur with entry-level chimney products • Low surface temperature on outer casing
Wide variety of insulated components and vapor-barrier friendly designs to match today's high-efficient homes	<ul style="list-style-type: none"> • Keeps heating dollars in the home instead of being lost through walls & ceilings • Taller shields to suit deeper attic insulation levels • Ability to seal around chimney minimizes potential air leakage • Reduces risk of severe condensation in cold climates • Helps to prevent water damage within exterior walls and within ceiling / roof assemblies
Universal Support Hardware	<ul style="list-style-type: none"> • Roof Brace, Roof Support, Wall Support, and Wall Band all feature universal collar that can be sized to fit any diameter of S2100 pipe
Industry's BEST Limited Lifetime Warranty	<ul style="list-style-type: none"> • Unlike most others, our warranty is TRANSFERABLE to a future owner (competitor warranties are good only to the original purchaser) • Adds value for both the homeowner and prospective homeowner

Specifications

Applications

S2100 is a double-wall, all fuel chimney system for use with wood stoves; fireplaces; and any appliances burning wood, oil, gas, or coal.

Materials and Construction

2" of Mineral Fiber insulation encased between inner and outer walls of .016" Stainless Steel.
Laser welded seam.

Clearances

2" clearance to combustibles.

Diameters

6", 7", 8"

Listings

Listed to UL 103HT and ULC S629 by Intertek.



ULC S629 and UL 103HT System

Secure Temp S2100

Security Chimney's twist-lock feature allows you to assemble S2100 quickly and precisely without the need for locking bands.

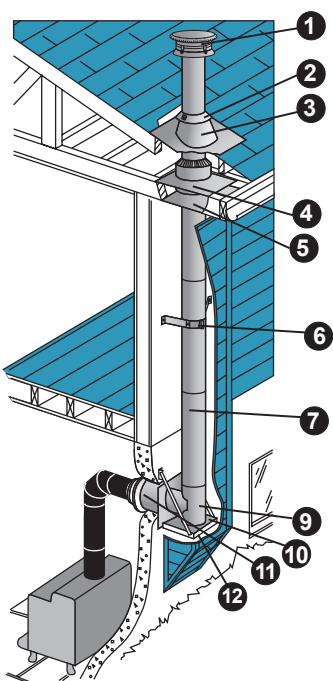
Designed for normal, continuous operation up to 1200°F (650°C) flue gas temperatures. S2100 meets the rigorous and stringent requirements of the ULC S629 standard, including one hour at 1700°F (925°C), plus three thirty minute chimney fire tests at 2100°F (1150°C).



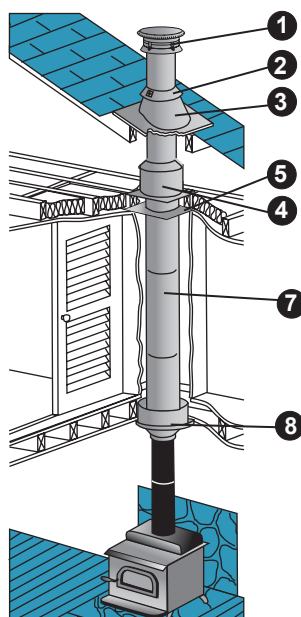
Typical Installations

- Refer to our Typical Venting Installation drawings to select the appropriate component parts for your installation.
- In through-wall installations, a Wall Thimble and appropriate length of pipe must be used if wall is constructed or faced with combustible materials.
- Reduced Clearance Ceiling Supports feature an integrated Attic Radiation Shield. It can be used in all installations that pass through an attic, regardless of whether the attic is insulated or not. Note: For Multi-Story applications, an Attic Radiation Shield and Firestop must be used separately.
- A Firestop must be used when a chimney passes through any ceiling not protected by a factory ceiling support.

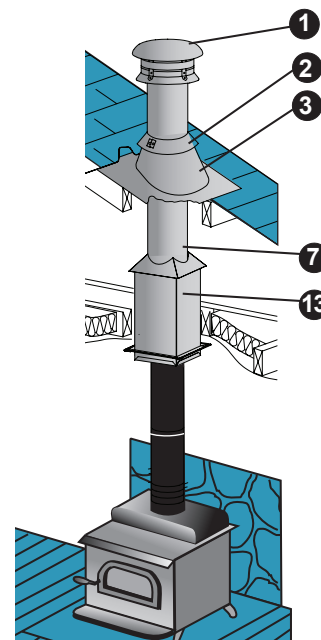
Installation Key			
1	Rain Cap	7	Length
2	Storm Collar	8	Round Finishing Support
3	Adjustable Roof Flashing	9	Insulated Tee
4	Attic Radiation Shield	10	Tee Support
5	Firestop	11	Wall Thimble
6	Wall Band	12	Twist-Lock Tee Cap (Clean-out)
		13	Reduced Clearance Support



Exterior installation to a wood stove



Multi-story Woodstove



Single-Story Woodstove

For guidance in selecting stovepipe components, see our catalogs for Secure Black DL Double-Wall Stovepipe or DuraBlack single-wall stovepipe.

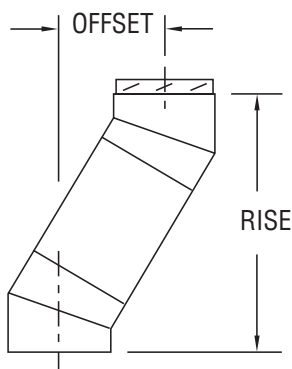
Offset and rise calculation

The following steps will help determine the lengths required for an installation:

1. Determine the offset required in view of the obstacles that must be avoided.

2. Refer to the "Offset/Rise Chart" to determine the elbows required as well as the insulated lengths needed.

3. Check the corresponding offset height dimensions.



ELBOW OFFSET & RISE CHART

One length between elbows								
Angle	Dia.	8"	12"	18"	24"	36"	48"	
15°	6", 7", 8"	Offset	3-5/16"	4-5/16"	5-7/8"	7-7/16"	10-1/2"	13-5/8"
		Rise	16"	19-7/8"	25-11/16"	31-1/2"	43-1/16"	54-5/8"
		Two lengths between elbows						
			8" & 48"	12" & 48"	18" & 48"	24" & 48"	36" & 48"	48" & 48"
30°	6", 7", 8"	Offset	15-1/2"	16-1/2"	18-1/16"	19-5/8"	22-3/4"	25-13/16"
		Rise	61-7/16"	65-1/4"	71-1/16"	76-7/8"	88-1/2"	100-1/16"
		Two lengths between elbows						
			8" & 48"	12" & 48"	18" & 48"	24" & 48"	36" & 48"	48" & 48"
45°	6", 7", 8"	Offset	30-7/8"	32-7/8"	35-7/8"	38-7/8"	44-7/8"	50-7/8"
		Rise	61-3/8"	64-7/8"	70-1/16"	75-1/4"	85-5/8"	96"
		Two lengths between elbows						
			8" & 48"	12" & 48"	18" & 48"	24" & 48"	36" & 48"	48" & 48"
60°	6", 7", 8"	Offset	10-5/16"	13-3/16"	17-3/8"	21-5/8"	30-1/8"	38-5/8"
		Rise	17-13/16"	20-5/8"	24-7/8"	29-1/8"	37-5/8"	46-1/8"
		Two lengths between elbows						
			8" & 48"	12" & 48"	18" & 48"	24" & 48"	36" & 48"	48" & 48"
75°	6", 7", 8"	Offset	43-7/16"	46-1/4"	50-1/2"	54-3/4"	63-1/4"	71-11/16"
		Rise	50-15/16"	53-3/4"	58"	62-1/4"	70-3/4"	79-3/16"
		Two lengths between elbows						
			8" & 48"	12" & 48"	18" & 48"	24" & 48"	36" & 48"	48" & 48"

LOADBEARING CAPACITY

Ø int.	Maximum height		
	6"	7"	8"
Offset/Wall Support	24'	22'	20'
Adjust. Wall/Tee Support	30'	28'	26'
Roof Support	20'	18'	16'
Sq. Cathedral Support	30'	28'	26'
Finishing Support	30'	28'	26'
Reduced Clearance Support	30'	28'	26'

SIZE OF OPENINGS*

Ø int.	Hole size (framing)		
	6"	7"	8"
Roof Support	14-1/8"	15-1/8"	16-1/8"
Attic Radiation Shield	14-1/8"	15-1/8"	16-1/8"
Sq. Cathedral Support	14-3/8"	14-3/8"	14-3/8"
Finishing Support	14-3/8"	14-3/8"	14-3/8"
Reduced Clearance Support	12-1/8"	13-1/8"	14-1/8"
Pass- Through Radiation Shield	14-1/8"	15-1/8"	16-1/8"
Wall Thimble	14"	15"	16"

Temperature Rating

650° C (1200°F)
925° C (1700°F)
1150° C (2100°F)

Period of Operation

Max. continuous
Brief forced fired
3 x 30 minutes, tested

SECURE TEMP S2100 GENERAL SPECIFICATIONS

Ø int.	Ø ext.	Insulation thickness	Weight lb./ft.*	Twist-Lock assembly	Clearance to combustible
6"	10"	2"	8.9	YES	2"
7"	11"	2"	9.9	YES	2"
8"	12"	2"	10.9	YES	2"

Planning Your Installation

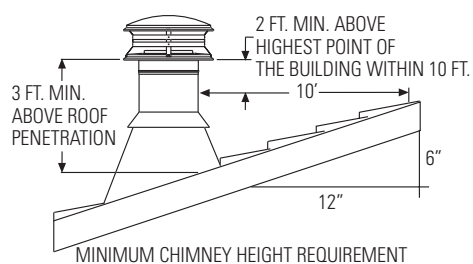
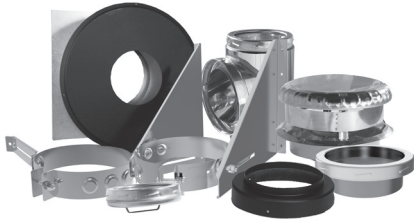


Figure 1

The following recommendations are a general guideline to assist in the layout and selection of the chimney components needed for your installation. Always follow Security Chimney's Installation instructions when installing your chimney system (enclosed with any support). Installation instructions can be viewed online at www.securitychimneys.com.

- The diameter of the chimney should match the outlet size of the appliance. An improperly sized chimney results in poor draft and excessive creosote formation.
- Measure the diameter of the appliance flue outlet. Select the chimney and either Secure Black DL or DuraBlack connector stovepipe with the same size diameter as the appliance flue outlet.
- Determine if the installation is a through-the-roof installation or a through-the-wall installation. A through-the-wall installation will require additional components (Wall Thimble, Tee/Cap, Tee Support, Wall Bands, Flue Extension, and Decorative Collar).
- Install the chimney in the interior of the structure whenever possible. A cold exterior chimney will produce less draft and will generate more creosote.
- If possible avoid offsets that serve to restrict the natural draft. A straight vertical installation is more efficient and less likely to develop creosote. If an offset is required to avoid rafters or other obstructions, measure the horizontal distance required and the vertical height available. 15°, 30° and 45° elbows are available. (Note: 45° elbows are only allowed in Canada). A maximum of two offsets (four elbows) in a single installation are permitted. At least one suitable support is required for each offset.
- Determine the minimum chimney height above the roof line. Building codes require a minimum of 3' above the roof penetration and at least 2' higher than any portion of a building within 10'. See Figure 1. The termination cap is installed above that point. If chimney is more than 5' above the roof penetration a Roof Brace is required.
- Measure the roof pitch. For example, a 6/12 pitch has a vertical rise of 6" over a horizontal distance of 12". Select the appropriate flashing.
- Determine the total length of chimney and stovepipe required for the installation. To calculate the installed length of S2100 chimney pipe, subtract 1" per joint. Subtract 1 7/8" per joint of DL Double-Wall Black stovepipe, if using DuraBlack, subtract 1 1/4" for each joint. Minimum chimney height, at sea level, of straight vertical chimney, is 10' to 15' above the appliance outlet. Higher elevations, or the use of elbows or a tee, will require approximately 30% to 60% more height to provide for an adequate draft.
- Be fire safe. Maintain at least 2" clearance to combustibles. Follow local building codes and have your chimney inspected by a certified professional.

Wall Support Kit



Through-Wall Option #1: Kit includes: Insulated Wall Thimble, Tee, Twist-Lock Tee Cap, Wall Support, Wall Band, Flue Extension, Decorative Collar for DL stove pipe, and Rain Cap.

With this option, Tee can be positioned above or below Wall Support.

SIZE	6"
ORDER #	6XWSK-2

Exterior Installation Kit



Through-Wall Option #2: Kit includes: Insulated Wall Thimble, Tee, Twist-Lock Tee Cap, Tee Support with Coupler, Wall Band, Flue Extension, Decorative Collar for DL stove pipe, Rain Cap, and Spark Arrester.

With this option, Tee is positioned on top of Tee Support.

SIZE	6"
ORDER #	6XKE-2

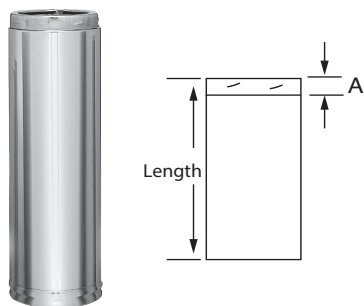
Interior Installation Kit



Kit includes: Round Finishing Support, Adjustable Attic Radiation Shield, and Rain Cap.

SIZE	6"
ORDER #	6XKI-2

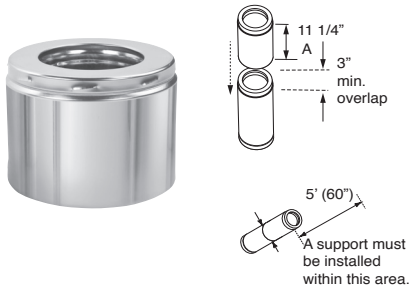
Chimney Length



Stainless steel inner and outer walls. Available in 8", 12", 18", 24", 36", 48" lengths.

SIZE	6"	7"	8"
	ORDER #	ORDER #	ORDER #
A	1"		
8"	6XL8	7XL8	8XL8
12"	6XL12	7XL12	8XL12
18"	6XL18	7XL18	8XL18
24"	6XL24	7XL24	8XL24
36"	6XL36	7XL36	8XL36
48"	6XL48	7XL48	8XL48

Adjustable Length



Used in combination with straight insulated lengths, the adjustable length makes it possible to fit a length perfectly, either vertically, horizontally, or at an angle. **IMPORTANT:** The adjustable length is not designed as a load bearing component. Its vertical installation requires an appropriate support on the section above it to bear the weight of the remaining installation.

SIZE	6"	7"	8"
A	11 1/4"	11 1/4"	11 1/4"
ORDER #	6XLA	7XLA	8XLA

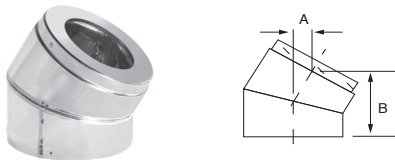
15° Insulated Elbow



Allows the 15° offset of a chimney. Designed to bypass an obstacle, such as a joist. A maximum of two offsets (4 elbows) is allowed.

SIZE	6"	7"	8"
A	5/8"	5/8"	5/8"
B	4 3/4"	4 3/4"	4 3/4"
ORDER #	6XE15	7XE15	8XE15

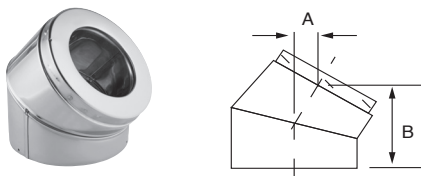
30° Insulated Elbow



Allows the 30° offset of a chimney. Designed to bypass an obstacle, such as a joist. A maximum of two offsets (4 elbows) is allowed.

SIZE	6"	7"	8"
A	1 15/16"	1 15/16"	1 15/16"
B	7 5/16"	7 5/16"	7 5/16"
ORDER #	6XE30	7XE30	8XE30

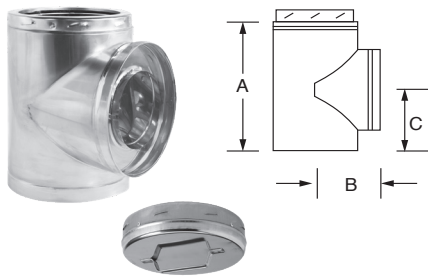
45° Insulated Elbow



Allows the 45° offset of a chimney. Designed to bypass an obstacle, such as a joist. A maximum of two offsets (4 elbows) is allowed. The chimney's angle of inclination must not deviate more than 45° from the vertical position.

SIZE	6"	7"	8"
A	3"	3"	3"
B	6 7/8"	6 7/8"	6 7/8"
ORDER #	6XE45	7XE45	8XE45

Insulated Tee



Located at the base of the chimney, it provides the horizontal connection to the appliance. An insulated Tee Cap (XTCI) is included.

SIZE	6"	7"	8"
A	13"	14"	15"
B	7"	7 1/4"	8"
C	7"	7 1/2"	8"
ORDER #	6XTI-2	7XTI-2	8XTI-2

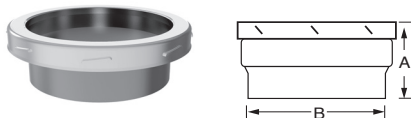
Twist-Lock Tee Cap



The twist-lock cap makes inspection access and servicing easy.

SIZE	6"	7"	8"
ORDER #	6XTCI	7XTCI	8XTCI

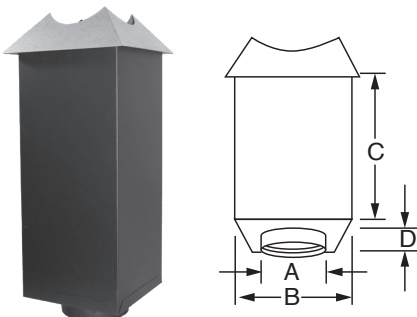
Flue Extension



Used to make the transition from insulated chimney to stovepipe in a through-the-wall installation. Refer to installation instructions for more details.

SIZE	6"	7"	8"
A	3"	3"	3"
B	5 7/8"	6 7/8"	7 7/8"
ORDER #	6XCA	7XCA	8XCA

Insulated Reduced Clearance Square Support

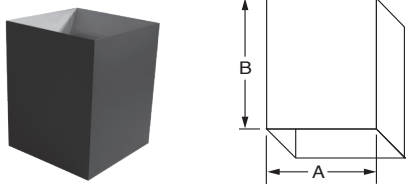


Use with flat, vaulted, or cathedral ceilings. Support can also double as a Attic Radiation Shield. Includes square-to-round collar shown, batt of factory insulation, and black finish trim. Integrated flue extension accepts either single-wall or double-wall stovepipe.

Note: Reduced clearance applies only to portion of chimney protected by the support box (and extension). Above, clearances-to-combustibles remain at 2".

SIZE	6"	7"	8"
A	6"	7"	8"
B	12"	13"	14"
C	24"	24"	24"
D	2"	2"	2"
ORDER #	6XRCS	7XRCS	8XRCS

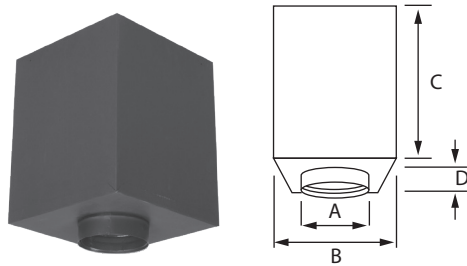
Reduced Clearance Square Support Extension



This part is designed to extend the height of the Insulated Reduced Clearance Support by up to 22".

SIZE	6"	7"	8"
A	12"	13"	14"
B	24"	24"	24"
ORDER #	6XSE	7XSE	8XSE

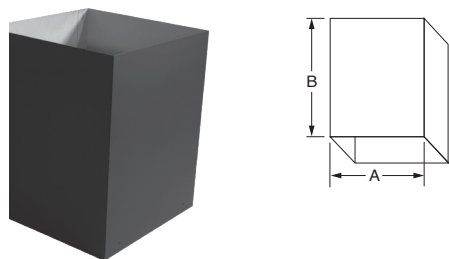
Square Cathedral Ceiling Support



For use with vaulted or cathedral ceilings. Box fits between standard 16"-on-center joist spacing. Integrated flue extension accepts either single-wall or double-wall stovepipe. Includes black finish trim.

SIZE	6"	7"	8"
A	6"	7"	8"
B	14 3/8"	14 3/8"	14 3/8"
C	24"		
D	2"		
ORDER #	6XSSCS24	7XSSCS24	8XSSCS24

Square Cathedral Ceiling Support Extension



Use to extend the height of the Cathedral Support by up to 22".

SIZE	6"	7"	8"
A	14 3/8"	14 3/8"	14 3/8"
B	24"		
ORDER #	PS24		

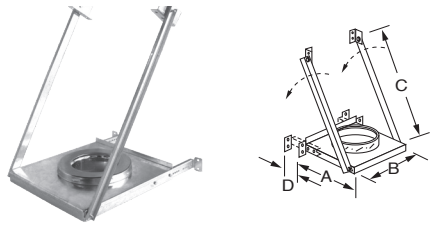
Round Finishing Support



Round support for use with flat ceilings. Fits in frame built within 16"-on-center joists. Integrated flue extension accepts either single-wall or double-wall stovepipe.

SIZE	6"	7"	8"
A	14 3/8"	14 3/8"	14 3/8"
B	6"	7"	8"
C	20"	20"	20"
D	5 1/2"	5 1/2"	5 1/2"
E	3"	3"	3"
F	2"	2"	2"
ORDER #	6XSFC	7XSFC	8XSFC

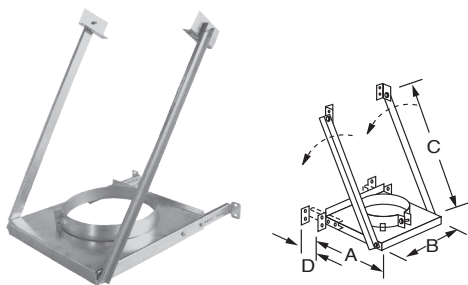
Adjustable Tee Support with Coupler



Use to support insulated tee on though-wall chimney installation. Access for inspection and service is incorporated from the underside of this support. Adjustable arms and sliding base plate are factory-set to ensure minimum clearance of 2". Allows for 2" - 7" clearance to combustibles.

SIZE	6"	7"	8"
A	15 1/2"	15 1/2"	15 1/2"
B	15"	15"	15"
C	26 3/4"	26 3/4"	26 3/4"
D	0 to 5"	0 to 5"	0 to 5"
ORDER #	6XSMA-2	7XSMA-2	8XSMA-2

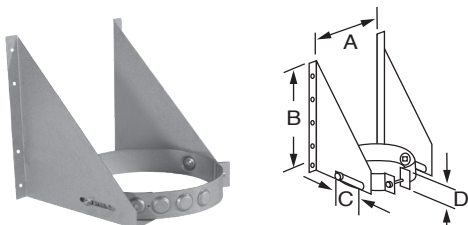
Adjustable Tee Support with Collar



Use to support insulated tee on though-wall chimney installation. For installation versatility and convenience, tee can be placed above or below the support. Can also be used as a wall support or re-support. Adjustable arms and sliding base plate are factory-set to ensure minimum clearance of 2". Allows for 2" - 7" clearance to combustibles.

SIZE	6"	7"	8"
A	15 1/2"	15 1/2"	15 1/2"
B	15"	15"	15"
C	26 3/4"	26 3/4"	26 3/4"
D	0 to 5"	0 to 5"	0 to 5"
ORDER #	6XSME	7XSME	8XSME

Offset/Wall Support (UNIVERSAL)



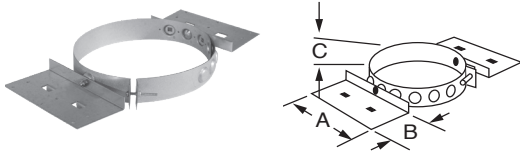
Adjustable collar works with 6", 7", or 8" pipe. Factory-set to ensure minimum 2" clearance. Horizontal adjustment slot allows for up to 4" of clearance. Can be used as a wall support, offset support, or tee support.

SIZE	6"	7"	8"
A	10 3/8"	11 3/8"	12 3/8"
B		12"	
C		2"	
D		2"	
ORDER #		XS0-2	

Roof Support

(UNIVERSAL)

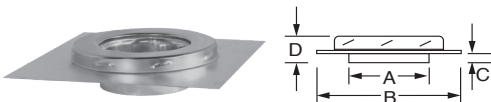
Typically used to support a chimney at the roof-deck. The mounting brackets swivel to suit any pitch. Adjustable collar works with 6", 7", or 8" pipe. Can also be used as supplemental support. Refer to instructions for more details.



SIZE	6"	7"	8"
A	8"	8"	8"
B	4"	4"	4"
C	2"	2"	2"
ORDER #	XST		

Anchor Plate

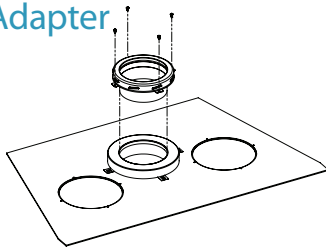
Attach to the top of a fireplace or other approved appliance to enable proper connection of the chimney.



SIZE	6"	7"	8"
A	6"	7"	8"
B	14"	14"	14"
C	2"	2"	2"
D	3"	3"	3"
ORDER #	6XSP	7XSP	8XSP

IHP Adapter

Adapts IHP factory-built fireplaces to accept Secure Temp S2100 Chimney.

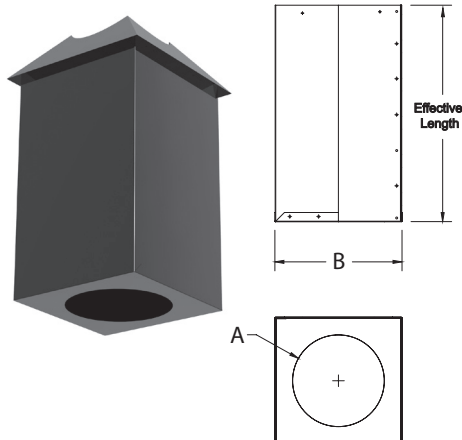


SIZE	6"	7"
ORDER #	6IHP2	7IHP2

Pass-Through Radiation Shield

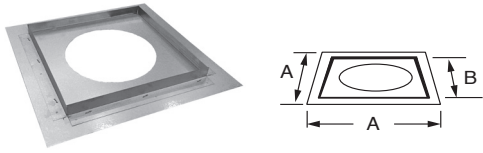
Use when insulated chimney passes up through a ceiling penetration from below. Suited for flat, vaulted, or cathedral applications. Integrated Firestop on bottom. Top can serve as an Attic Radiation Shield where required.

Factory insulation and square-to-round collar are included. Effective height (length) with standard extension is adjustable from 24" up to maximum of 46".



SIZE	6"	7"	8"
A	10 3/16"	11 3/16"	12 3/16"
B	14" x 14"	15" x 15"	16" x 16"
ORDER #	6XSRSE	7XSRSE	8XSRSE

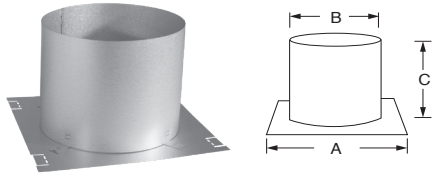
Firestop



Use as per instructions to provide protection at underside of a ceiling penetration.

SIZE	6"	7"	8"
A	16"	18"	18"
B	14"	15"	16"
ORDER #	6XBF	7XBF	8XBF

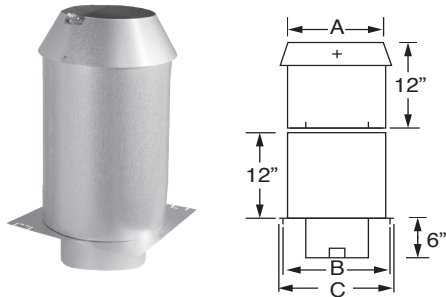
Radiation Shield



Can be used as an alternative to the standard Firestop (XBF). This version includes a Radiation Shield. May be required by some appliance manufacturers.

SIZE	6"	7"	8"
A	16"	18"	18"
B	13"	14"	15"
C	10"	10"	10"
ORDER #	6XRS	7XRS	8XRS

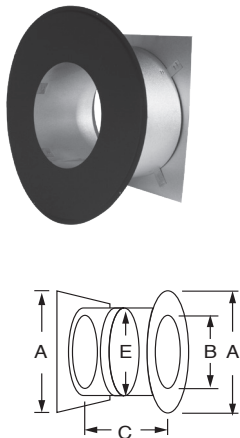
Adjustable Insulated Attic Radiation Shield



Two-piece overlapping design adjusts from 12" up to 22" height to accommodate deeper levels of insulation. Part is factory-insulated and includes both the base plate and collar as shown.

SIZE	6"	7"	8"
A	14"	15"	16"
B	14"	15"	16"
C	16"	18"	18"
ORDER #	6XARSA	7XARSA	8XARSA

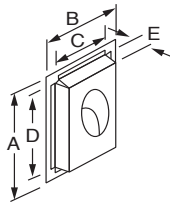
Insulated Wall Thimble



Designed to protect surrounding combustible materials when a chimney passes through a wall. Thimble works with wall thicknesses from 7" up to 12-1/2". Can be trimmed for use with thinner walls. Includes painted Decorative Collar for interior finish. Insulated to prevent heat loss or cold air intrusion.

SIZE	6"	7"	8"
A	20"	20"	20"
B	10 3/8"	11 3/8"	12 3/8"
C	7" to 12 1/2"		
D	16"	18"	18"
E	14"	15"	16"
ORDER #	6XRSM-2	7XRSM-2	8XRSM-2

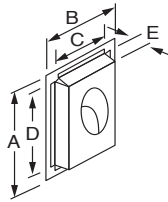
30° Insulated Wall Radiation Shield



This part is to be used only with a wood-burning fireplace that has been certified for use with the chimney. It has been designed for use when the chimney passes through a wall at an angle.

SIZE	6"	7"	8"
A	40 1/16"	42 3/4"	44 13/16"
B	16 7/8"	17 7/8"	18 7/8"
C	18 7/8"	19 7/8"	20 7/8"
D	38 3/4"	40 3/4"	42 13/16"
E	3"	3"	3"
ORDER #	6XRSMI30	7XRSMI30	8XRSMI30

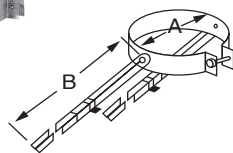
45° Insulated Wall Radiation Shield



This part is to be used only with a wood-burning fireplace that has been certified for use with the chimney. It has been designed for use when the chimney passes through a wall at an angle.

SIZE	6"	7"	8"
A	29 1/2"	30 3/8"	32"
B	17 1/8"	17 7/8"	18 7/8"
C	19 1/8"	19 7/8"	20 7/8"
D	27 1/2"	28 5/8"	30"
E	3"	3"	3"
ORDER #	6XRSMI45	7XRSMI45	8XRSMI45

Roof Brace (UNIVERSAL)

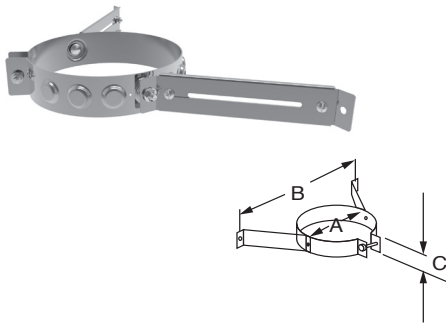


Required to stabilize chimney against wind-loading when 5 feet or more extends above the roof-line. Adjustable collar works with 6", 7", or 8" pipe. Brace arms are adjustable from 60" up to 115".

Note: Not intended to provide protection against sliding ice or snow on a metal roof.

SIZE	6"	7"	8"
A	10"	11"	12"
B	60" to 115"		
ORDER #	XBS2		

Wall Band (UNIVERSAL)

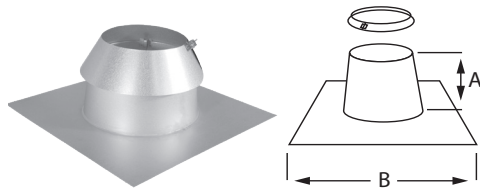


Use to provide lateral stability when chimney runs up an interior or exterior wall. Adjustable arms slide in or out to set required clearances. Adjustable collar works with 6", 7", or 8" pipe.

Note: The use of wall bands at intervals of 8' is recommended.

SIZE	6"	7"	8"
A	10"	11"	12"
B	25"	27"	29"
C	2"	2"	2"
ORDER #	XBM-2		

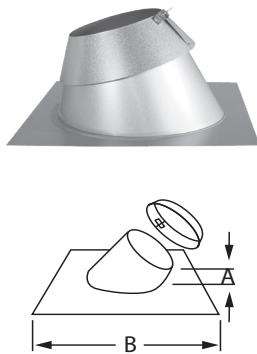
Flat Roof Flashing



Galvanized Flat Roof Flashing. Storm collar included.

SIZE	6"	7"	8"
A	7 1/2"	7 1/2"	7 1/2"
B	24"	24"	24"
ORDER #	6XF	7XF	8XF

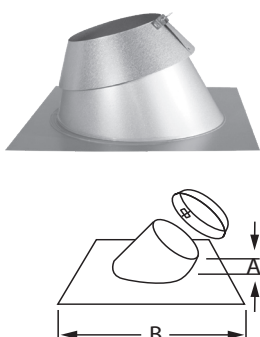
Adjustable Roof Flashing



Galvanized Adjustable Roof Flashing. Choose from 3 different versions to match roof pitch. Storm collar is included.

SIZE		6"	7"	8"
1/12 - 7/12	A	6"		
	B	24"		
	ORDER #	6XFA	7XFA	8XFA
8/12 - 12/12	A	3 7/8"	3 7/8"	4 1/2"
	B	24"	24"	30"
	ORDER #	6XFB	7XFB	8XFB
12/12 - 21/12	A	6 1/4"	6 1/4"	6 1/4"
	B	36"	40"	42"
	ORDER #	6XFBB	7XFBB	8XFBB

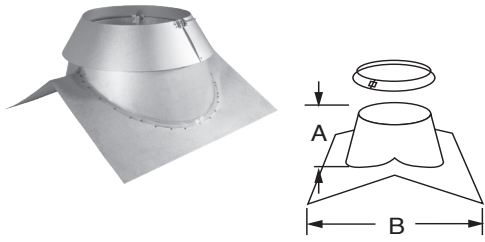
DSA Roof Flashing



This flashing features a base plate made of malleable (aka "Dead-Soft") aluminum. This material is easily shaped-by-hand to match corrugated metal roofing or rounded clay-tile shingles. Storm Collar is included.

SIZE		6"	7"	8"
1/12 - 7/12 Aluminum Malleable	A	6"		
	B	36"		
	ORDER #	6XFAA	7XFAA	* For 8" DSA Flashing: contact your regional manager for assistance *
8/12 - 12/12 Aluminum Malleable	A	4 5/8"		
	B	36"		
	ORDER #	6XFBA	7XFBA	

Peak Roof Flashing



Galvanized peak roof flashing. Choose from two different versions to match roof pitch. Comes with storm collar.

PEAK ROOF SIZE		6"	7"	8"
1/12 - 7/12	A	3 5/8"	3 5/8"	3 5/8"
	B	13 1/2"	14"	15"
	ORDER #	6XFP	7XFP	8XFP
8/12 - 12/12	A	3 1/2"	3 1/2"	3 1/2"
	B	14"	14"	14"
	ORDER #	6XFPB	7XFPB	8XFPB

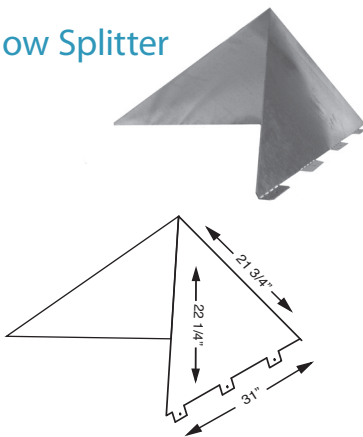
Storm Collar



Collar fits over flashings to help prevent water intrusion. Generous shoulder width ensures effective protection in all climates when installed as directed. **Included with all roof flashings.**

SIZE	6"	7"	8"
A	5"	5"	5"
ORDER #	6XFC	7XFC	8XFC

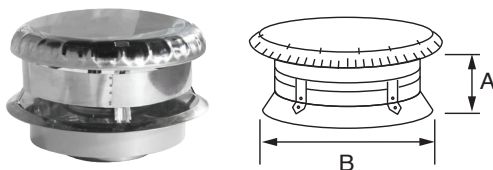
Snow Splitter



Ships flat, and folds easily on the job site. Includes 8 fastening flanges (4 on each side) for mounting. Made with heavy 14 gauge galvanized steel. Fits all diameters.

SIZE	6"	7"	8"
ORDER #	FSD		

Rain Cap

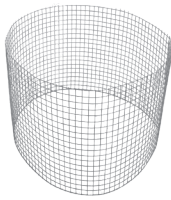


A rain cap is required to prevent precipitation from entering the chimney. Unique clamp design allows for universal fit on any chimney with either a one-inch or two-inch wall thickness.

Note: Check local codes to determine if an optional spark arrester is required.

SIZE	6"	7"	8"
A	4"	4"	4 3/4"
B	12 1/4"	12 1/4"	15 1/2"
ORDER #	6CC	7CC	8CC

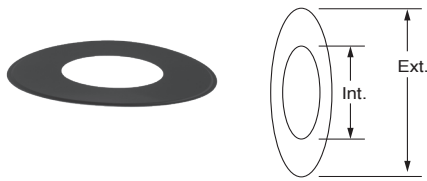
Universal Spark Arrester Band



This band is wrapped around the rain cap. Its purpose is to help prevent burning embers from escaping. As an added benefit, it keeps birds and other small animals from entering the chimney. Mesh must be cut to suit cap. Made of stainless steel.

SIZE	6"	7"	8"
ORDER #	PE		

Trim Collar



The optional decorative Trim Collar can be used to help provide a professional finish around the chimney when passing through a non-combustible wall.

SIZE	6"	7"	8"
ORDER #	6XPF	7XPF	8XPF
Int.	10 1/8"	11 1/8"	12 1/8"
Ext.	21"	21"	21"

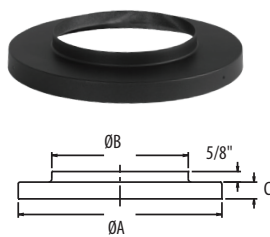
Decorative Collar Single-Wall Stovepipe



Used in through-wall installations. Provides decorative finish with transition between chimney and single-wall stove pipe.

SIZE	6"	7"	8"
A	10"	11"	12"
B	6 1/8"	7 1/8"	8 1/8"
C	1"	1"	1"
ORDER #	6XPB	7XPB	8XPB

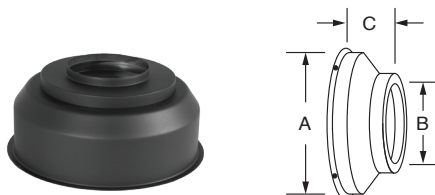
Decorative Collar DL Double-Wall Stovepipe



Used in through-wall installations. Provides decorative finish in transition between chimney and DL Double-Wall stove pipe.

SIZE	6"	7"	8"
A	10 1/8"	11 1/8"	12 1/8"
B	6 3/8"	7 3/8"	8 3/8"
C	7/8"	7/8"	7/8"
ORDER #	6DQDX	7DQDX	8DQDX

Finishing Cone



In through-wall installations, the finishing cone can be used in combination with a Twist-Lock Flue Extension to conceal stainless chimney that would otherwise be visible from within the dwelling. Requires 5" projection length.

SIZE	6"
A	12"
B	6 1/4"
C	5 1/2"
ORDER #	6PD-1

Limited Lifetime Warranty

This Security Chimneys International, Ltd. (SCIL) Limited Lifetime Warranty warrants your residential vent and/or chimney system to be free from defects in material and workmanship at the time of manufacture. This Limited Lifetime Warranty includes all components and fittings, except termination caps and Secure Black SW single wall black stove pipe. After installation, if covered components manufactured by SCIL are found to be defective in materials or workmanship during the Limited Lifetime Warranty period and while the Product remains at the site of the original installation, SCIL will, at its option, replace the covered components. SCIL reserves the right to replace covered components with an equivalent product and the replacement must be carried out in accordance with SCIL's recommendations. If replacement is not commercially practical, SCIL will, at its option, refund the purchase price or wholesale price of the SCIL product, whichever is applicable. THERE ARE EXCLUSIONS AND LIMITATIONS to this Limited Lifetime Warranty as described herein.

COVERAGE COMMENCEMENT DATE

Warranty coverage begins on the date of installation. In the case of new home construction, warranty coverage begins on the date of first occupancy of the dwelling or six months after the sale of the Product by an independent SCIL dealer/distributor, whichever occurs earlier. The warranty shall commence no later than 24 months following the date of product shipment from SCIL, regardless of the installation or occupancy date.

EXCLUSIONS AND LIMITATIONS

This Limited Lifetime Warranty applies only if the Product is installed in the United States or Canada and only if used for the application for which it was designed and intended. The Product must be maintained in accordance with the printed instructions accompanying the Product and in compliance with all applicable installation and building codes and good trade practices.

This warranty is transferable. The Product must be purchased through a listed supplier of SCIL and proof of purchase must be provided. SCIL will be responsible for the replacement of the residential vent and/or chimney system considered to be defective for the following periods:

Termination Caps & Secure Black SW Stove Pipe – Replacement at no charge for 5 years from the date of installation, excluding labor

Components and fittings (excludes termination caps and Secure Black SW) –

Year 1-15 – Replacement of all components and fittings (a labor allowance may apply to a maximum of 300 \$ * certain conditions apply).

Year 16 – Replacement at 50% off of the prevailing list price in effect at the time of replacement (No labor allowance applies).

*Labor Allowance Conditions: Any Warranty replacement work must be performed by a Professional Installer.

SCIL will not be responsible for: (a) damages caused by normal wear and tear, corrosion from salt air, accident, riot, fire, flood or acts of God; (b) damages caused by abuse, negligence, misuse, or unauthorized alteration or repair of the Product affecting its stability or performance. (The Product must be subject to normal use with approved fuels listed in the Operation Manual provided with the product. Where applicable, fuel products with abnormal burning characteristics, including but not limited to fuel such as driftwood, plywood and wood products using a binder may burn at excessive temperatures and may cause damage to the Product or may cause it to function improperly; (c) damages caused by failing to provide proper maintenance and service in accordance with the instructions provided with the Product; (d) damages, repairs or inefficiency resulting from faulty installation or application of the Product.

This Limited Lifetime Warranty covers only parts as provided herein. SCIL's entire liability is limited to the purchase price of this product. In no case shall SCIL be responsible for materials, components or construction which are not manufactured or supplied by SCIL or for the labor necessary to install, repair or remove such materials, components or construction. Additional utility bills incurred due to any malfunction or defect in equipment are not covered by this Limited Lifetime Warranty. All replacement or repair components will be shipped F.O.B. from the nearest stocking SCIL factory.

LIMITATION ON LIABILITY

It is expressly agreed and understood that SCIL's sole obligation and the purchaser's exclusive remedy under this warranty, under any other warranty, expressed or implied, or in contract, tort or otherwise, shall be limited to replacement, repair, or refund, as specified herein.

In no event shall SCIL be liable for any incidental or consequential damages caused by defects in the Product, whether such damage occurs or is discovered before or after replacement or repair, and whether such damage is caused by SCIL's negligence. SCIL has not made and does not make any representation or warranty of fitness for a particular use or purpose, and there is no implied condition of fitness for a particular use or purpose.

SCIL makes no expressed warranties except as stated in this Limited Lifetime Warranty. The duration of any implied warranty is limited to the duration of this expressed warranty.

No one is authorized to change this Limited Lifetime Warranty or to create for SCIL any other obligation or liability in connection with the Product. Some states and provinces do not allow the exclusion or limitation of incidental or consequential damages, so the above limitations or exclusions may not apply to you. The provisions of this Limited Lifetime Warranty are in addition to and not a modification of or subtraction from any statutory warranties and other rights and remedies provided by law.

INVESTIGATION OF CLAIMS AGAINST WARRANTY

SCIL reserves the right to investigate any and all claims against this Limited Lifetime Warranty and to decide, in its sole discretion, upon the method of settlement.

To receive the benefits and advantages described in this Limited Lifetime Warranty, the appliance must be installed and repaired by a licensed contractor approved by SCIL. Contact SCIL at the address provided herein to obtain a listing of approved dealers/distributors. SCIL shall in no event be responsible for any warranty work done by a contractor that is not approved without first obtaining SCIL's prior written consent.

HOW TO REGISTER A CLAIM AGAINST WARRANTY

In order for any claim under this warranty to be valid, you must contact the SCIL dealer/distributor from which you purchased the product. If you cannot locate the dealer/distributor, then you must notify SCIL in writing. SCIL must be notified of the claimed defect in writing within 90 days of the date of failure. Notices should be directed to the SCIL Warranty Department at 2125 Monterey, Laval, Quebec, Canada H7L 3T6.

www.securitychimneys.com

Security Chimneys

2125 Monterey, Laval, Quebec
Canada, H7L 3T6

450-973-9999

800-361-4909 (US)

800-667-3387 (Canada)

450-973-2222 (Fax)

Need product information or technical support? Our customer service specialists are ready to answer your questions:

800-667-3387 or contact
info@securitychimneys.com



Information published in all Security Chimneys literature is current at time of publication and is subject to change without notice.

S2100
LS304_Catalog_Secure Temp _S2100_03-22-2021_V5
www.securitychimneys.com 800-361-4909 (US) 800-667-3387 (Canada)

Security Chimneys International © 2015, 2017