

INSERTS , FIREPLACES AND MODULAR SYSTEMS.

PASSION FOR EVERY DETAIL.




SPARTHERM®
The Fire Company



EPA CERTIFIED 2020.

FULL COMBUSTION AIR CONTROL.



SPARTHERM GERMANY



SPARTHERM POLAND



SPARTHERM FRANCE





SPARTHERM ITALY



designed to be different

DRU NETHERLANDS



BRULA

WHO WE ARE

The living room is a symbol of shared place, accompanied by the dreams to create a thing of timeless beauty and relaxation.”

Fire symbolizes the beginning of culture. Its sight is pure magic – watching flames dancing in a moment of casualness, comfort and warmth.

These days, fire in our living space expresses the highest of all feelings. A contemporary fireplace in the living room achieves this feeling of total coziness and well-being.

Puristic and timeless designs of our fireplaces not only set impressive statements in your home, but create a completely new, mesmerizing atmosphere.





OUR VALUES

Quality

From the start in 1986, our philosophy has always been developing fireplaces that feature designs and techniques never seen before. Spartherm units are designed and manufactured to the highest standards possible, using only the best materials - the result are products striving for perfection in terms of contemporary design and longevity.

Safety

Besides being a pioneer in innovation and functionality, our main concern is your safety. Therefore we meticulously take care about the security of all our products, no matter if it's a wood, gas or an ethanol appliance. Countless hours of testing, special safety features and reliable components ensure that our products meet the highest standards possible.

Customers

The fact that in only 30 years our company grew to one of the leading players in the fireplace industry with over 1000 employees didn't change our values at all – building close, sustainable relationships with all our customers worldwide. And since we are a family-owned business, we know our roots and hold on to these values, because they made us what we are today.

Service

We pride ourselves on the best service to back up our world class products. Reliable after-sales service and the availability of spares and advice are an important part of the customer satisfaction.



HEAT MANUFACTURE

The Spartherm Brand stands for innovation and design. The philosophy of quality and design are ingrained in our development, production and service to our customers.

Spartherm is one of the largest producers of fireplaces, inserts and stoves in Europe. With two factories with a total of 35,000 m² of production space we plan, develop and manufacture more than 60,000 units per year from one single source.

The basis of our success? The high technical quality of the stoves combined with stylish design and consistent innovations in the sector of combustion technology. That is the status quo and it will stay that way. A promise you can rely on.



MADE IN GERMANY

THE BENEFITS FOR YOU

HIGH TECHNICAL QUALITY
COMBINED WITH
WELL - BALANCED
DESIGN.



Quality and variety

Whether as an inspired vision of the fireplace inserts or in terms of the reliability and meticulous manufacturing of the products, SPARTHERM's high quality standards are unrivalled. Contemporary design and technological perfection are the hallmarks of all SPARTHERM fireplace inserts.

G. M. Rokossa.

Gerhard Manfred Rokossa
Founder and owner

CHOOSE THE INSTALLATION OPTION THAT SUITS YOUR NEEDS!

- MASONRY INSERTS
- ZERO CLEARANCE FIREPLACES
- MODULAR FREESTANDING STOVES



SPARTHerm 600 INSERT



SPARTHerm 700 INSERT



- SEPERATE COMBUSTION AIR INLET Ø125MM-5";
ORIENTATION BACKWARD OR DOWNWARD
- CHIMNEY CONNECTION 6" ;
ORIENTATION BACKWARD OR UPWARD
- ADJUSTABLE LEVELING FEET 10-20 MM
- SWING DOOR - HINGE DOOR
- FIREPLACE LINING: FIRECLAY AND VERMICULITE



- SEPERATE COMBUSTION AIR INLET Ø125MM-5";
ORIENTATION BACKWARD OR DOWNWARD
- CHIMNEY CONNECTION 6" ;
ORIENTATION BACKWARD OR UPWARD
- ADJUSTABLE LEVELING FEET 10-20 MM
- SWING DOOR - HINGE DOOR
- FIREPLACE LINING: FIRECLAY AND VERMICULITE

CHOOSE YOUR
FRAME TO FINISH
THE INSTALLATION.

AVAILABLE
FRAME FINISHES

- 60 MM - 2 3/8"
- 80 MM - 3 1/8"
- 100 MM - 3 15/16"

Fireplace Insert



Standard

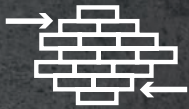




SPARTHERM INSERTS

OPEN TO MODERN SAFETY CONCEPTS

Spartherm fireplaces have been known for their innovative and aesthetic solutions for 30 years. Our prime objective is to support every possible design idea and every creative aspiration. With our knowledge and experience, we ensure that our inserts are the very best of fireplace design and technology.



MASONRY
*MASONRY
INSERT*



MODULAR
*MODULAR
FREESTANDING
STOVE*



YOUR CHOICE - OUR RANGE

A FASCINATING INTERPLAY OF ELEMENTS.

A variety of options to suit your individual needs. Spartherm offers a new range of fireplaces to the North American market. The difference is the burning technology, the heat output, the nice and the cozy fire. A clear glass in combination with a smooth flame shows the more than 30 years experience in fire technology of Spartherm. Choose your style the technology runs throughout the range.



MODULAR
MODULAR
FREESTANDING
STOVE



ZERO CLEARANCE
FIREPLACE



SPECIFICATIONS- INSERT/ZERO CLEARANCE/MODULE

	600 INS/ZC/STOVE.	700 INS/ZC/STOVE
Tested EPA emission particular rate (2020)	1,67 g/hr	1,14 g/hr
Air control options	Full air control.	Full air control.
Min/Max output BTU	10.500-47,000 BTU	13.500-49,000 BTU
Chimney connection size	6"	6"
Log size	18"	21"
Chimney size	6"-7"	6"-7"

Chimney type 6" or 7" by the standard: UL 103-HT or ULC S-629.
Complete range can be connected to outside combustion air- 5" connection.





MODULAR
MODULAR
FREESTANDING
STOVE

MODULAR FREESTANDING STOVE

ENJOY A
FIRE IN A
CONTEMPORARY
FRAMEWORK.

The best Place for your Fire.

An design feature in any room.

You choose the modular system to suit your needs.



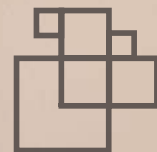
MODULAR FREESTANDING STOVE

CHOOSE BETWEEN THREE BASES FOR YOUR PERFECT FIREPLACE

Environment-friendly heating

Tested to the highest required environmental standards. You can enjoy a fully adjustable, clean fire in the comfort of your home.

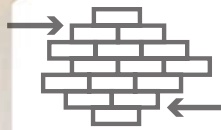




MODULAR
MODULAR
FREESTANDING
STOVE







MASONRY
MASONRY
INSERT

MASONRY INSERTS

PERFECT COMFORT AT HOME

More than just function

The SPARTHERM fireplace inserts offer perfect functionality and a modern and stylish appearance, as well as being easy and uncomplicated to install. They fit in stylishly with your particular ambience and don't just fill the empty space of an open fireplace but allow it to radiate in a completely new splendour.

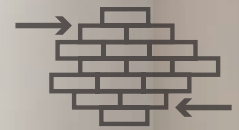
MASONRY INSERTS

INNOVATION AND FUNCTION TO CREATE THE PERFECT FLAME.

High efficient combustion

We have the highest requirements for the latest fireplace insert technology. We therefore rely on our own innovations for even higher efficiency and optimal energy usage for your fireplace.

High-quality materials, the best craftsmanship, the highest level of functionality and the longest service life, that is SPARTHERM quality that you can rely on.



MASONRY

MASONRY
INSERT



DESIGN ZERO CLEARANCE FIREPLACE.

ENJOY YOUR FIRE IN A SAFE ZERO CLEARANCE INSTALLATION.

Stylish design combined with practical installation solutions.

A feeling of warmth, cosiness and the fascination of flickering flames – quality of living enters a new dimension. Your new zero clearance fireplace allows you to immediately enjoy flickering flames in a „controlled“ and more comfortable form. A very well sealed fireplace provides 100% protection against flying sparks and smoke nuisance into living areas.





ZERO CLEARANCE
FIREPLACE







ZERO CLEARANCE
FIREPLACE

ZERO CLEARANCE FIREPLACE.

THE RIGHT SETTING
FOR MORE SAFETY.
ZERO CLEARANCE.

Your Benefit for Zero Clearance

The key benefits of a zero clearance fireplace is the freedom of choice of a new installation with maximum safety.

FREEDOM OF CHOICE TO ADJUST THE SETTING OF YOUR FIREPLACE.

WITH THE SPARTHHERM RANGE OF INSERTS, ZERO CLEARANCE FIREPLACE AND MODULAR STOVE, YOU CAN NOW ENJOY A FULLY ADJUSTABLE, SAFE AND EFFECTIVE FIRE.

DOOR OPENER



HIGH QUALY



The 600 and 700 fireplace insert match perfectly to your living room, regarding function, modern appearance and uncomplicated installation.

MADE BY SPARTHHERM



PRINTED CERAMIC GLASS PANE



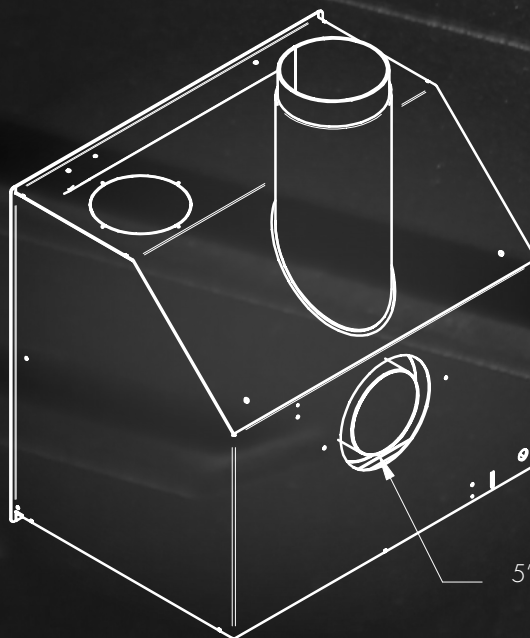
High technical quality combined with a well-balanced design. With Spartherm 600 and 700 inserts, you can now enjoy your fireplace with even more warmth and greater safety.

AIR CONTROL



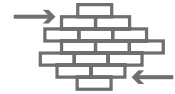
THE AIR SYSTEM CONNECTION

Complete range can be connected to outside combustion air - 5" connection.



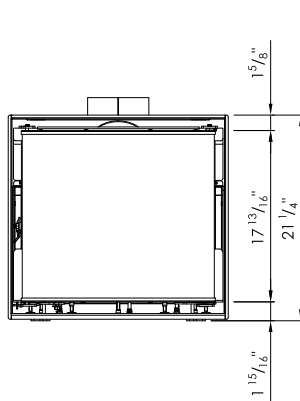
5" connector

TECHNICAL DATA MASONRY INSERT

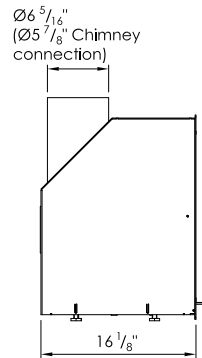


MASONRY
MASONRY
INSERT

SPARTHERM-600 -IN

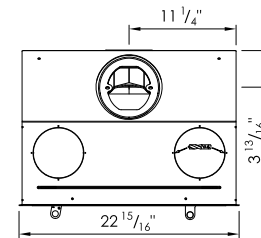


Front view



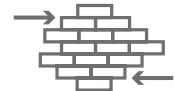
approximate weight 183 LBS

Side view

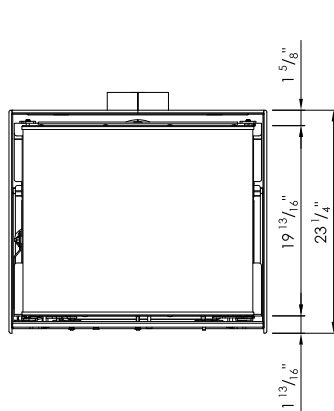


Top view

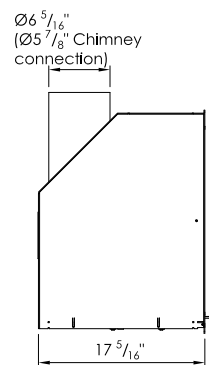
SPARTHERM-700 -IN



MASONRY
MASONRY
INSERT

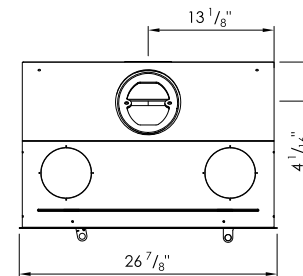


Front view



approximate weight 250 LBS

Side view



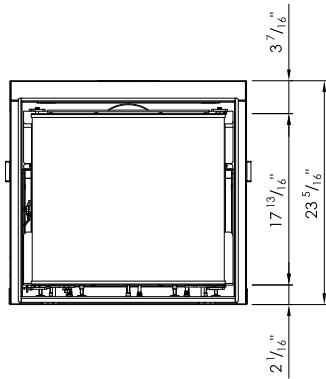
Top view

TECHNICAL DATA ZERO CLEARANCE FIREPLACE

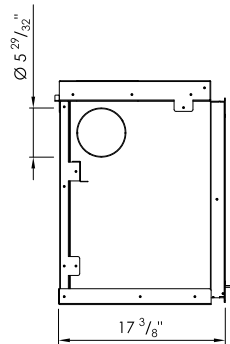


ZERO CLEARANCE
FIREPLACE

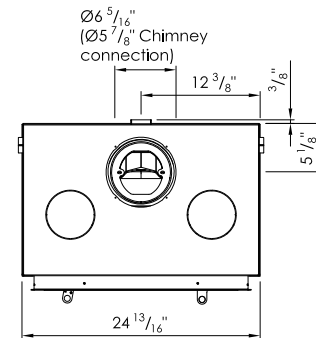
SPARTHERM-600 -ZC



Front view



Side view



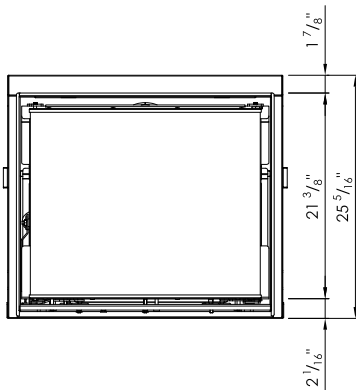
Top view

approximate weight 242 LBS

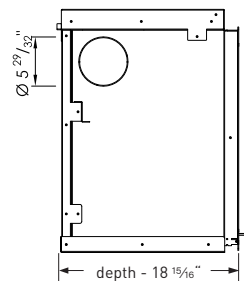
SPARTHERM-700 -ZC



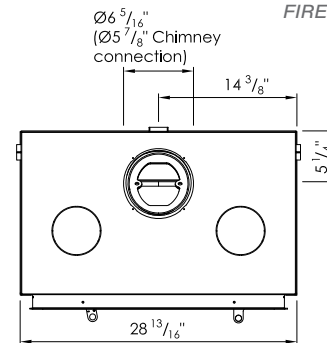
ZERO CLEARANCE
FIREPLACE



Front view



Side view



Top view

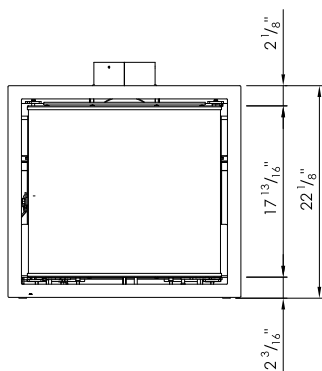
approximate weight 290 LBS

TECHNICAL DATA MODULAR INSERT

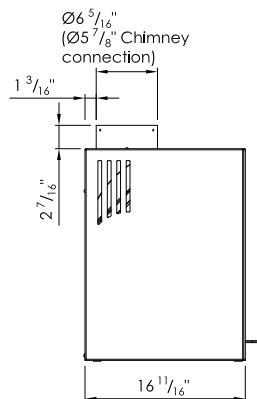


MODULAR
MODULAR
FREESTANDING
STOVE

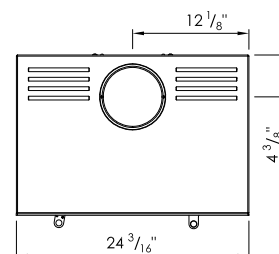
SPARTHERM-600 -MO



Front view



Side view



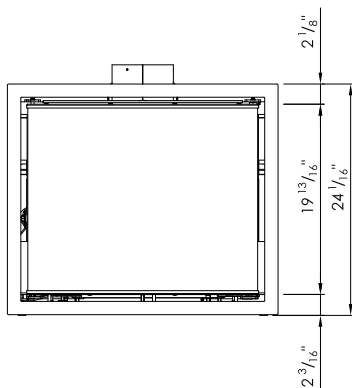
Top view

approximate weight 205 LBS

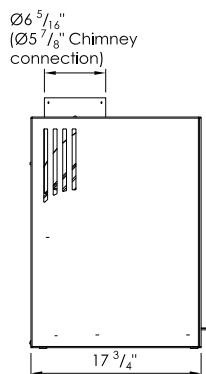
SPARTHERM-700 -MO



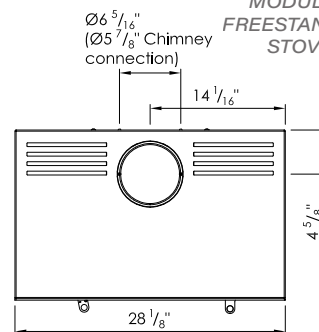
MODULAR
MODULAR
FREESTANDING
STOVE



Front view



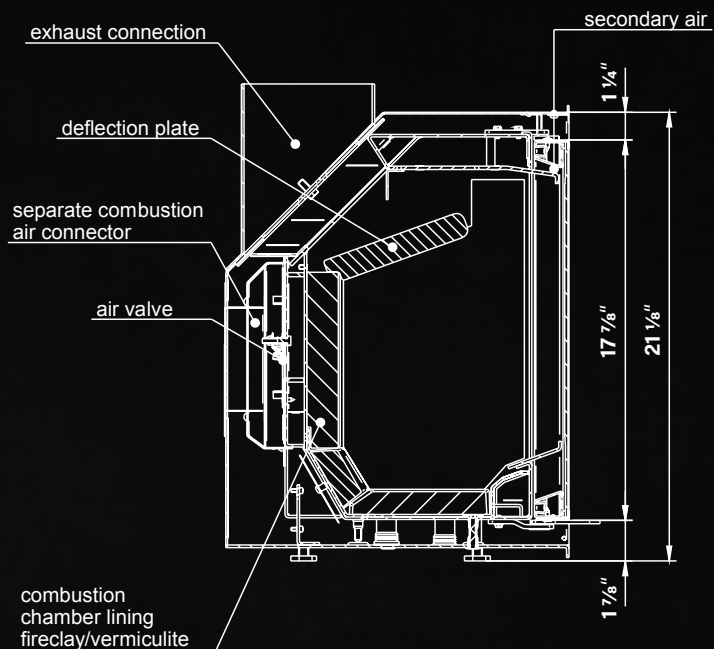
Side view



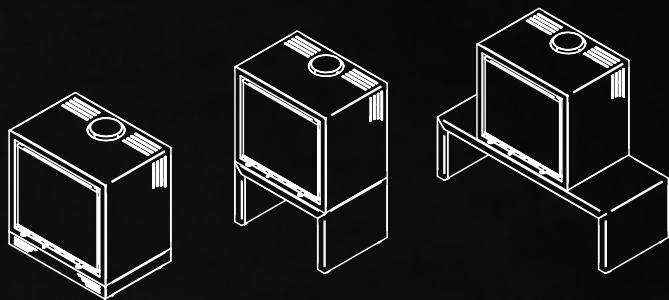
Top view

approximate weight 227 LBS

SPARTHERM-600 INSERT PROFILE



SPARTHERM-600 -MO

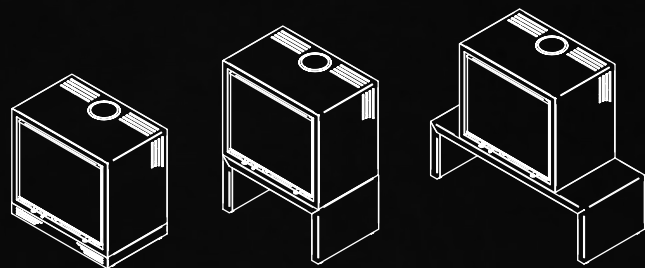


SPARTHERM-
600 -MO
WITH BASE A

SPARTHERM-
BASE B 600 -MO

SPARTHERM-
BASE C 600 -MO

SPARTHERM-700 -MO

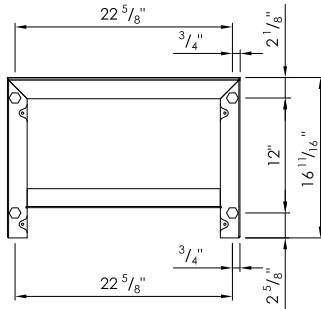


SPARTHERM-
700 -MO
WITH BASE A

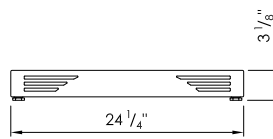
SPARTHERM-
BASE B 700 -MO

SPARTHERM-
BASE C 700 -MO

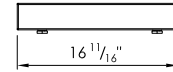
BASE A (SPARTHERM-600 -MO)



Top view



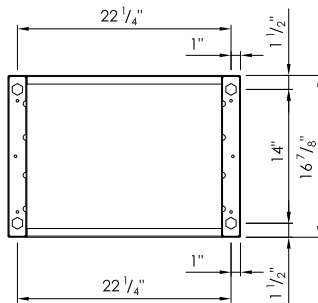
Front view



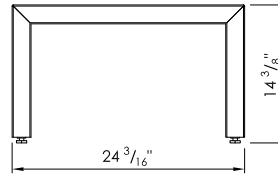
Side view



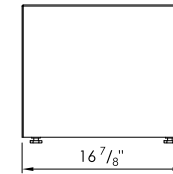
BASE B (SPARTHERM-600 -MO)



Top view



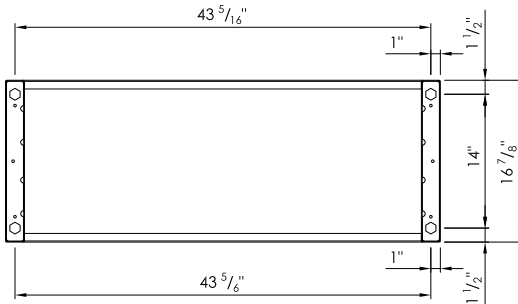
Front view



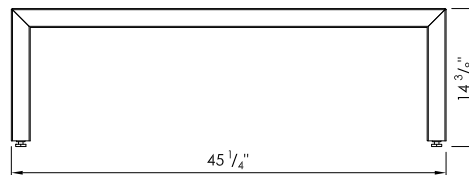
Side view



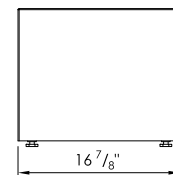
BASE C (SPARTHERM-600 -MO)



Top view



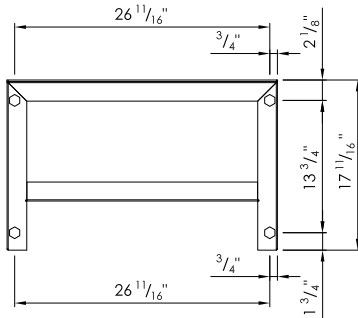
Front view



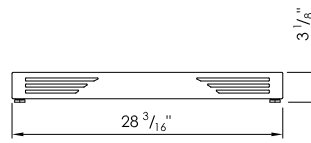
Side view



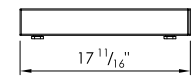
BASE A (SPARTHERM-700 -MO)



Top view

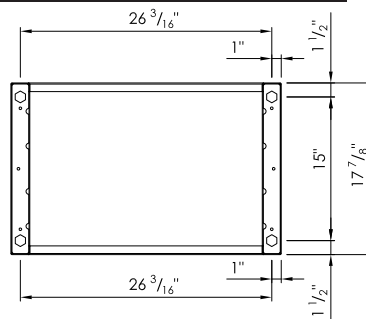


Front view

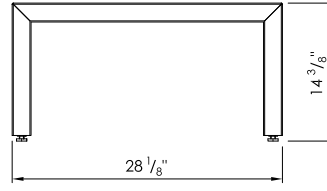


Side view

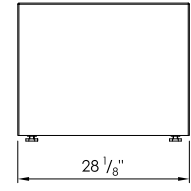
BASE B (SPARTHERM-700 -MO)



Top view

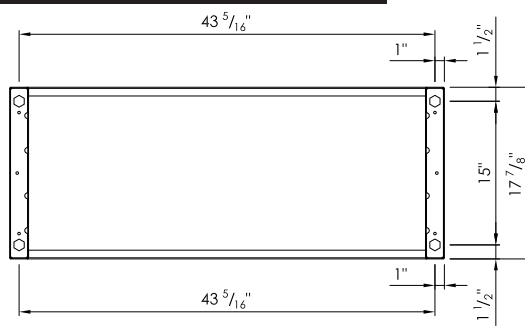


Front view

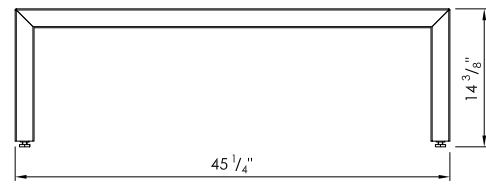


Side view

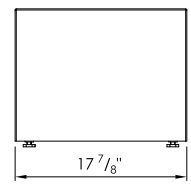
BASE C (SPARTHERM-700 -MO)



Top view



Front view



Side view



SPARTHERM Feuerungstechnik GmbH

Maschweg 38 · 49324 Melle · Germany

Tel. +49 5422/94 41-0 · Fax +49 5422/94 41-14

m.aumann@spartherm.com · www.spartherm-america.com

Please note that this is not a installation manual.
Units have been placed for marketing purposes.
Please refer to the installation manual for official
installation instructions.