

SIRIUS

DIRECT-VENT GAS FIREPLACES





Sirius shown with a clean-face installation, Reflective Black Porcelain interior and Reflective Black Glass Media

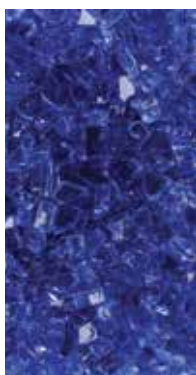
The **Sirius** direct vent gas fireplace is a contemporary linear design for a sleek and dramatic appearance. The expansive ceramic glass opening provides an exceptional view of the gentle, calming flames enhanced by a black reflective porcelain interior. As versatile as it is efficient, the Sirius is the choice for affordable comfort in any modern living area.

Glass Media (Optional)

Choose from four glass media options to complement your décor. (Reflective Black media comes standard)



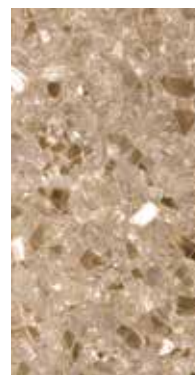
Reflective Black (standard)



Reflective Blue



Copper



Goldfinger



Platinum

Surrounds (Optional)

Choose from Black or Brushed Stainless Steel finishes.



Black (painted)



Brushed Stainless Steel

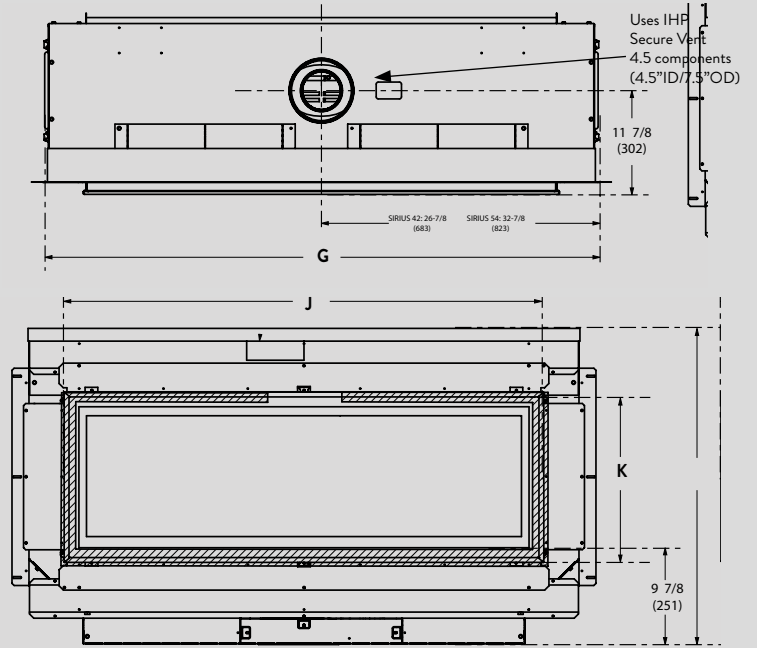
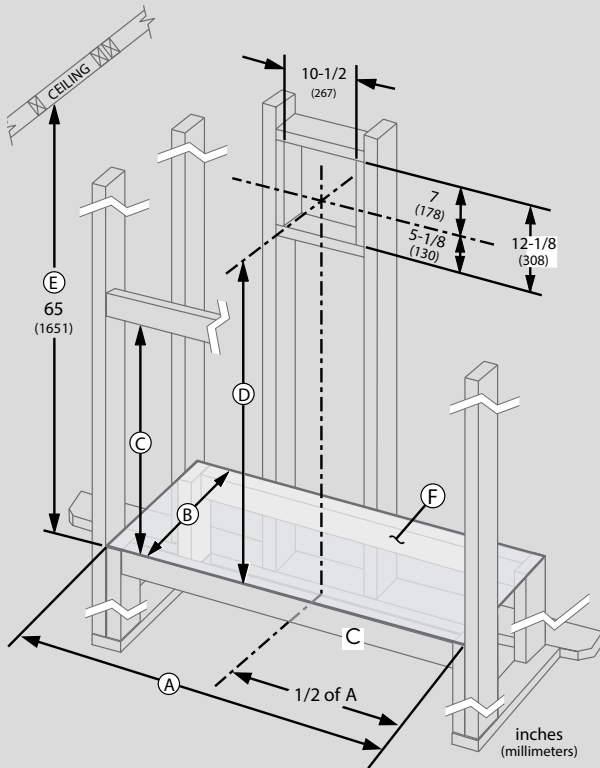
STANDARD FEATURES

- ◆ Available in 42" and 54" linear configured models
- ◆ Gas controls are conveniently hidden in the fireplace floor
- ◆ Electronic ignition with battery backup to operate in the event of a power outage (unit installed IPI/CPI switch standard)
- ◆ Exclusive Infini-Flame™ technology provides a continuous band of gentle flames across the expansive viewing area
- ◆ 71.9% industry leading AFUE
- ◆ Clean-face design features ceramic glass for optimum heat transfer and a protective screen*
- ◆ Optional blower to fine tune your heating needs
- ◆ Interior consists of three-piece reflective porcelain panels and reflective black crushed glass media
- ◆ Includes clean-faced trim kit or purchase an optional four-piece surround kit in black painted or brushed stainless steel finish
- ◆ On/Off remote control
- ◆ Limited Lifetime Warranty

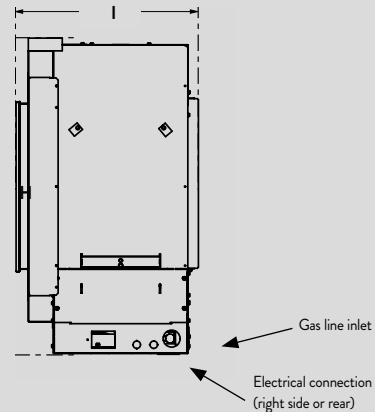
*All applicable models comply with ANSI Z21.50/88 barrier requirements.

APPLIANCE SPECIFICATIONS

FLAT WALL FRAMING SPECIFICATIONS



RIGHT SIDE VIEW



	SIRIUS 42	SIRIUS 54
A	54"	66"
B	20-1/2"	20-1/2"
C	37"	41-3/4"
D	44-3/8"	48-1/4"
E	Minimum height from appliance base front to ceiling	
F	Mounting platform required	

FIREPLACE EFFICIENCIES – Listed to ANSI Z21.88 as a gas fireplace heater.

MODEL	FUEL	BTU/HR	AFUE**	P4/ENERGUIDE*
SIRIUS 42TEN	NG	22,000	66.7%	54.2%
SIRIUS 42TEP	LP	20,000	66.7%	59.4%
SIRIUS 54TEN	NG	30,000	71.9%	63.2%
SIRIUS 54TEP	LP	30,000	71.9%	65.5%

*Intermittent ignition systems

**Annual Fuel Utilization Efficiency (AFUE) is the recognized U.S. rating system for the total efficiency of heating products.

IMPORTANT NOTES:

As with any fireplace, this appliance is extremely hot during operation. Read and understand all operating instructions before using this appliance. For further information, consult your dealer.

Local conditions, such as elevation, wind, vent configuration and choice of fuel will affect overall appearance of the fire and heating performance. Performance can also vary with home design and insulation, climate, condition and type of fuel used, appliance location, burn rate, accessories chosen, chimney installation and how the appliance is operated.

	SIRIUS 42	SIRIUS 54
G	53-3/4"	65-3/4"
H*	32-1/2"	36-3/8"
I	20-1/2"	20-1/2"
J	44-1/8"	56-1/8"
K	15-11/16"	19-5/8"

*Additional 4-3/8" for standoffs

DIAGRAMS, ILLUSTRATIONS AND PHOTOGRAPHS ARE NOT TO SCALE—CONSULT INSTALLATION INSTRUCTIONS. PRODUCT DESIGNS, MATERIALS, DIMENSIONS, SPECIFICATIONS, COLORS AND PRICES ARE SUBJECT TO CHANGE OR DISCONTINUANCE WITHOUT NOTICE.

astria
FIREPLACES®

© 2018 Innovative Hearth Products
785621M 08/18

Visit us online
Astria.us.com

PFS
C US
Report #F14-108

